

# PARTS LIST

[ XV-THA10R ]

\* All printed circuit boards and its assemblies are not available as service parts.

## Area suffix

B ----- U.K.  
 E ----- Continental Europe  
 EN ----- Northern Europe  
 EE ----- Russian Federation

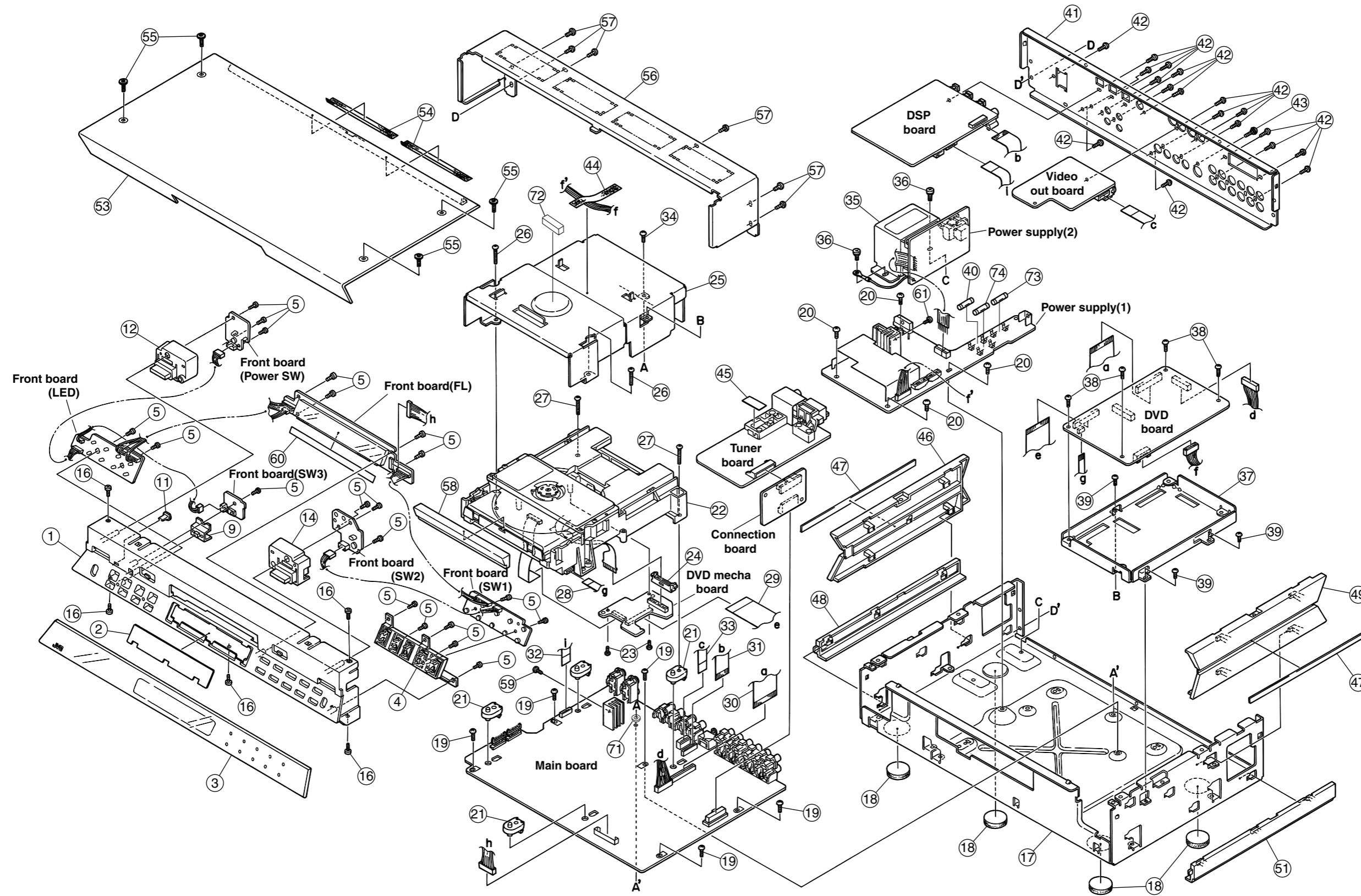
## - Contents -

Exploded view of general assembly and parts list .....	3-3
DVD mechanism assembly and parts list.....	3-5
Electrical parts list .....	3-7
Packing materials and accessories parts list .....	3-24

— MEMO —

# Exploded view of general assembly and parts list

Block No. **M 1 M M**



## ■ Parts list (General assembly)

Block No. M1MM

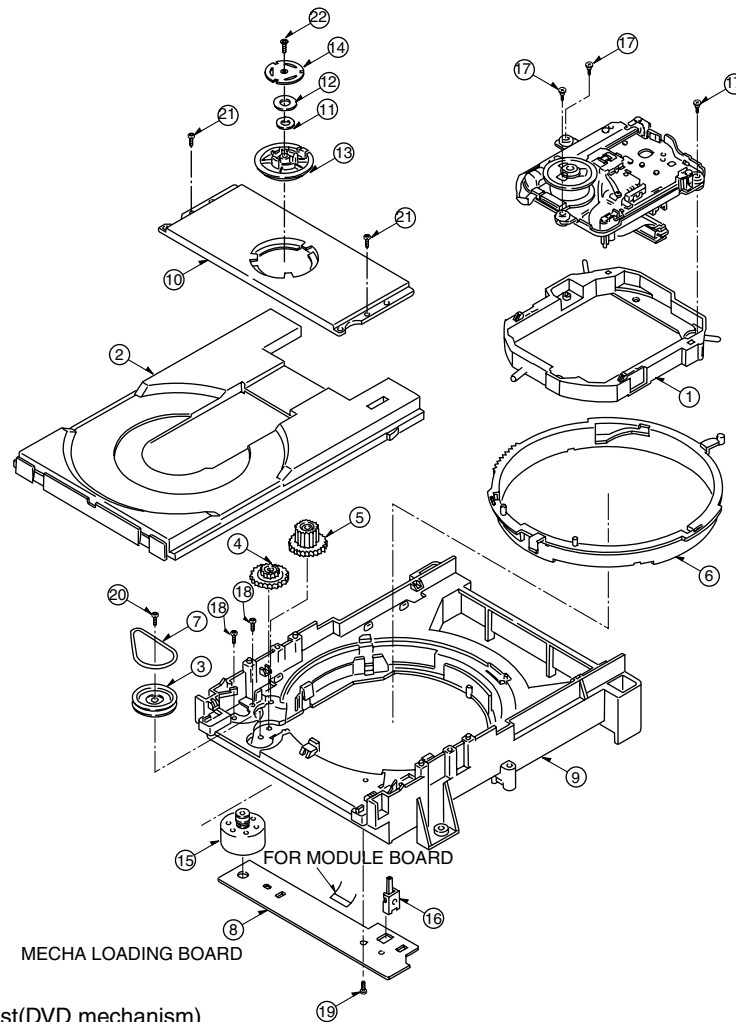
△	Item	Parts number	Parts name	Q'ty	Description	Area
	1	LV10334-005A	FRONT BASE	1		
	2	LV41540-001A	FL SCREEN	1	FRONT BASE	
	3	LV20644-003A	LENS	1		
	4	LV20648-001A	PUSH BUTTON	1		
	5	QYSDSF2606Z	SCREW	20		
	9	LV41541-001A	REMOTE LENS	1		
	11	FSJD4001-002	INDICATOR	1		
	12	LV31711-001A	P.BUTTON ASSY	1		
	14	LV31714-001A	EJECT B.ASSY	1		
	16	QYSDSG3008M	SCREW	5	FRONT+CHASSIS	
	17	LV10336-001A	CHASSIS BASE	1		
	18	LV41539-001A	SPACER	4	FOOT	
	19	QYSBSG3008E	T.SCREW	5	MAIN PWB+CHASSI	
	20	QYSBSG3008E	T.SCREW	4	POW.PWB+CHASSIS	
	21	LV31717-001A	STAND	4		
	22	-----	DVD DRIVE MECHA	1		
	23	QYSBSF2006Z	SCREW	2	FOR MECHA+PWB	
	24	LV31435-001A	CONECTOR HOLDER	1		
	25	LV20640-001A	SHIELD PLATE	1		
	26	QYSBST3018E	T.SCREW	2	MECHA+SHIELD+CA	
	27	QYSBST3016Z	T.SCREW	2	MECHA+CHASSIS	
	28	QUQ810-0715AJ	FFC WIRE	1	MECHA FP2602-CN	
	29	QUQ810-3717AM	FFC WIRE	1	MECHA CN11-DVD	
	30	QUQ810-3512AM	FFC WIRE	1	MAIN CN801-DVD	
	31	QUQ810-1916AJ	FFC WIRE	1	MAIN CN151-DSP	
	32	QUQ810-1318AJ	FFC WIRE	1	MAIN CN804-DSP	
	33	QUQB12-1012AJ	FFC WIRE	1	MAIN CN231-SV C	
	34	QYSBSG3008E	T.SCREW	1	MECHA+SHIELD+CA	
△	35	QQT0296-003	POWER TRANS	1	T901	
	36	QYSDSTL4008E	SPECIAL SCREW	2	TRANS+CHASSIS	
	37	LV31718-001A	SHIELD CASE	1		
	38	QYSBSG3006E	T.SCREW	4	DVD PWB+S.CASE	
	39	QYSBST3004Z	T.SCREW	3	S.CASE+CHASSIS	
△	40	QMF51E2-2R0-J1	FUSE	1	F901	
	41	LV20642-012A	REAR PANEL	1		B,E,EN
		LV20642-013A	REAR PANEL	1		EE
	42	QYSBSGY3008E	SPECIAL SCREW	18		
	43	E73562-003	SPECIAL SCREW	1	SUB WOOFER+REAR	
	44	LV30225-079A	SPACER	1	SHIELD PLATE	
	45	LV30225-081A	SPACER	1	TUNER PWB	
	46	LV20645-002A	SIDE PANEL(L)	1		
	47	LV41542-001A	SIDE PLATE	2		
	48	LV31719-002A	SIDE COVER(L)	1		
	49	LV20646-002A	SIDE PANEL(R)	1		
	51	LV31720-002A	SIDE COVER(R)	1		
	53	LV10335-001A	TOP PANEL	1		
	54	LV30225-062A	SPACER	2	TOP PANEL	
	55	LV41834-001A	SPECIAL SCREW	4	TOP PANEL+CHASS	

## ■ Parts list (General assembly)


Block No. M1MM

△	Item	Parts number	Parts name	Q'ty	Description	Area
	56	LV20643-001A	REAR COVER	1		
	57	QYSBSGY3008E	SPECIAL SCREW	6	R.COVER+CHASSI	
	58	LV20647-001A	TRAY FITTING	1		
	59	QYSBSG3008Z	T.SCREW	1	IC156 + HS156	
	60	LV30225-070A	SPACER	1	FOR DI701+BK701	
	61	QYSBSG3008Z	T.SCREW	1	Q921+HS921	
	71	E73967-006	SPACER	1		
	72	LV41956-001A	SHIELD GASKET	1		
△	73	QMF51E2-R50-J1	FUSE	1	F902	
△	74	QMF51E2-R50-J1	FUSE	1	F903	

# DVD mechanism assembly and parts list

Block No. M 2 M M1/2  
FLM-V3

## ■ Parts list(DVD mechanism)

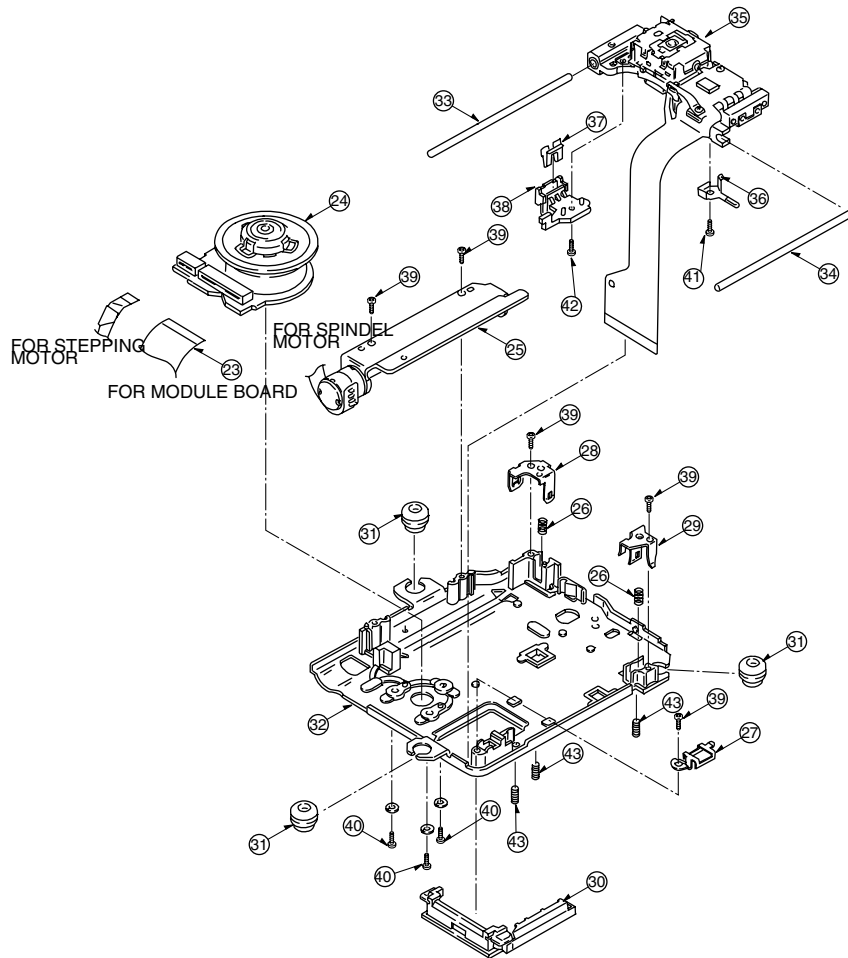
	REF.	PARTS NO.	PARTS NAME	QTY	SUFFIX
	1	GMVMD3270	Chassis	1	
	2	GMVMD3265	Tray	1	
	3	GMVDG1308	Pulley gear	1	
	4	GMVDG1309	Drive gear 1	1	
	5	GMVDG1310	Drive gear 2	1	
	6	GMVDK0156	UP DOWN cam	1	
	7	GMVDV0373	Belt	1	
	8	-----	Mecha roading p.c.Board	1	
	9	GMVMD3266	Roading Base	1	
	10	GMVMD3263	Clampe base	1	
	11	GMJSM0048	Magnet	1	
	12	GMVMA9535	Clamp back yoke	1	
	13	GMVMD3264	Clamper	1	
	14	GMVMA0B93	Clamper weight	1	
	15	GMVEM0664	Roading motor unit	1	
	16	GMVSH0170	Twin switch	1	
	17	GMVHD1223	Screw 1	3	
	18	GMXQNC17+3	Screw 2	2	
	19	GMXTV3+10G	Screw 3	1	
	20	GMXTW2+12T	Screw 4	1	
	21	GMXTV3+10G	Screw 5	2	
	22	GMXTS3+6J	Screw 6	1	

# DVD mechanism assembly and parts list


Block No. M 2 M M

2/2

FML-V3



## ■ Parts list(DVD mechanism)

	REF.	PARTS NO.	PARTS NAME	QTY	SUFFIX
	23	GMVWJ1277	Spindle FFC	1	
	24	GMVEM0665	Spindle motor unit	1	
	25	GMVEM0666	Stepping motor unit	1	
	26	GMVMB3278	Tilt spring 1	2	
	27	GMVMC1487	Tilt spring 2	1	
	28	GMVMC1488	Spring suppresses 1	1	
	29	GMVMC1489	Spring suppresses 2	1	
	30	GMVMD3261	FPC holder	1	
	31	GMVMG1166	Floating rubber	3	
	32	GMVMK0474	Traverse shassis	1	
	33	GMVMS6471	Guide shaft 1	1	
	34	GMVMS6472	Guide shaft 2	1	
	35	GMVED0402	Optical pick up	1	
	36	GMVMC1491	Spring	1	
	37	GMVMC1490	Nut spring	1	
	38	GMVMD3260	Nut	1	
	39	GMVHD1224	Screw 1	5	
	40	GMVHD1225	Screw 2	3	
	41	GMVHD1057	Screw 3	1	
	42	GMXQNC17+3	Screw 4	1	
	43	GMXXE26C6FN	Screw 5	3	

# Electrical parts list

## ■ Electrical parts list (Main board)

Block No. 01

△	Item	Parts number	Parts name	Remarks	Area	△	Item	Parts number	Parts name	Remarks	Area
	C 231	QETN1HM-475Z	E CAPACITOR	4.7MF 20% 50V			C1103	QCBB1HK-331Y	C CAPACITOR	330PF 10% 50V	
	C 232	QETN1HM-475Z	E CAPACITOR	4.7MF 20% 50V			C1104	QCBB1HK-331Y	C CAPACITOR	330PF 10% 50V	
	C 233	QETN0JM-477Z	E CAPACITOR	470MF 20% 6.3V			C1105	QCBB1HK-331Y	C CAPACITOR	330PF 10% 50V	
	C 234	QETN0JM-477Z	E CAPACITOR	470MF 20% 6.3V			C1106	QCBB1HK-331Y	C CAPACITOR	330PF 10% 50V	
	C 235	QCS11HJ-470	C CAPACITOR	47PF 5% 50V			C1107	QCBB1HK-331Y	C CAPACITOR	330PF 10% 50V	
	C 236	QETN1HM-475Z	E CAPACITOR	4.7MF 20% 50V			C1108	QCBB1HK-331Y	C CAPACITOR	330PF 10% 50V	
	C 237	QDX31EM-473Z	C.CAPACITOR				C1109	QCBB1HK-331Y	C CAPACITOR	330PF 10% 50V	
	C 241	QETN1AM-107Z	E CAPACITOR	100MF 20% 10V			C1110	QCBB1HK-331Y	C CAPACITOR	330PF 10% 50V	
	C 242	QDYB1CM-103Y	C.CAPACITOR				C1111	QCBB1HK-331Y	C CAPACITOR	330PF 10% 50V	
	C 243	QETN1CM-476Z	E CAPACITOR	47MF 20% 16V			C1112	QCBB1HK-331Y	C CAPACITOR	330PF 10% 50V	
	C 244	QDYB1CM-103Y	C.CAPACITOR				C1115	QETN1HM-475Z	E CAPACITOR	4.7MF 20% 50V	
	C 245	QETN1AM-107Z	E CAPACITOR	100MF 20% 10V			C1116	QETN1HM-475Z	E CAPACITOR	4.7MF 20% 50V	
	C 253	QDX31EM-104Z	C.CAPACITOR				C1117	QETN1EM-226Z	E CAPACITOR	22MF 20% 25V	
	C 254	QCS11HJ-100	C CAPACITOR	10PF 5% 50V			C1118	QETN1EM-226Z	E CAPACITOR	22MF 20% 25V	
	C 255	QCS11HJ-470	C CAPACITOR	47PF 5% 50V			C1121	QETN1HM-475Z	E CAPACITOR	4.7MF 20% 50V	
	C 256	QCS11HJ-121	C CAPACITOR	120PF 5% 50V			C1122	QETN1HM-475Z	E CAPACITOR	4.7MF 20% 50V	
	C 258	QDYB1CM-103Y	C.CAPACITOR				C1123	QETN1HM-475Z	E CAPACITOR	4.7MF 20% 50V	
	C 261	QETN0JM-477Z	E CAPACITOR	470MF 20% 6.3V			C1124	QETN1HM-475Z	E CAPACITOR	4.7MF 20% 50V	
	C 262	QETN0JM-477Z	E CAPACITOR	470MF 20% 6.3V			C1125	QFLC1HJ-821Z	M.CAPA.I.M	820PF 5% 50V	
	C 271	QCS11HJ-121	C CAPACITOR	120PF 5% 50V			C1126	QFLC1HJ-821Z	M.CAPA.I.M	820PF 5% 50V	
	C 272	QCS11HJ-470	C CAPACITOR	47PF 5% 50V			C1127	QFVJ1HJ-224Z	CAPACITOR	.22MF 5% 50V	
	C 273	QCS11HJ-100	C CAPACITOR	10PF 5% 50V			C1128	QFVJ1HJ-224Z	CAPACITOR	.22MF 5% 50V	
	C 291	QETN1CM-476Z	E CAPACITOR	47MF 20% 16V			C1131	QETN1HM-475Z	E CAPACITOR	4.7MF 20% 50V	
	C 298	QDGB1HK-102Y	C CAPACITOR				C1132	QETN1HM-475Z	E CAPACITOR	4.7MF 20% 50V	
	C 299	QCF11HZ-103	C CAPACITOR	.010MF +80:-20%			C1133	QETN1HM-475Z	E CAPACITOR	4.7MF 20% 50V	
	C 801	QCF11HZ-103	C CAPACITOR	.010MF +80:-20%			C1134	QETN1HM-475Z	E CAPACITOR	4.7MF 20% 50V	
	C 802	QCF11HZ-103	C CAPACITOR	.010MF +80:-20%			C1135	QETN1HM-475Z	E CAPACITOR	4.7MF 20% 50V	
	C 806	QEZO229-479Z	EDL.CAPACITOR	47000MF			C1136	QETN1HM-475Z	E CAPACITOR	4.7MF 20% 50V	
	C 807	QETN0JM-477Z	E CAPACITOR	470MF 20% 6.3V			C1137	QETN1HM-475Z	E CAPACITOR	4.7MF 20% 50V	
	C 811	QCF11HZ-103	C CAPACITOR	.010MF +80:-20%			C1138	QETN1HM-475Z	E CAPACITOR	4.7MF 20% 50V	
	C 812	QCBB1HK-473Y	C CAPACITOR	.047MF 10% 50V			C1139	QFVJ1HJ-224Z	CAPACITOR	.22MF 5% 50V	
	C 813	QEK1AM-107Z	E.CAPACITOR	100MF 20% 10V			C1140	QFVJ1HJ-224Z	CAPACITOR	.22MF 5% 50V	
	C 814	QEZO229-479Z	EDL.CAPACITOR	47000MF			C1151	QETN1CM-476Z	E CAPACITOR	47MF 20% 16V	
	C 816	QEK0JM-227Z	E.CAPACITOR	220MF 20% 6.3V			C1152	QETN1CM-476Z	E CAPACITOR	47MF 20% 16V	
	C 817	QCF11HZ-103	C CAPACITOR	.010MF +80:-20%			C1155	QETN1CM-476Z	E CAPACITOR	47MF 20% 16V	
	C 821	QDYB1CM-103Y	C.CAPACITOR				C1156	QETN1CM-476Z	E CAPACITOR	47MF 20% 16V	
	C 822	QEK1HM-225Z	E.CAPACITOR	2.2MF 20% 50V			C1159	QETN1CM-476Z	E CAPACITOR	47MF 20% 16V	
	C 823	QDGB1HK-102Y	C CAPACITOR				C1160	QETN1CM-476Z	E CAPACITOR	47MF 20% 16V	
	C 824	QDVB1EZ-223Y	C CAPACITOR				C1161	QCBB1HK-561Y	C CAPACITOR	560PF 10% 50V	
	C 826	QETN1HM-224Z	E CAPACITOR	.22MF 20% 50V			C1162	QCBB1HK-561Y	C CAPACITOR	560PF 10% 50V	
	C 827	QETN1HM-105Z	E CAPACITOR	1.0MF 20% 50V			C1163	QETN1CM-476Z	E CAPACITOR	47MF 20% 16V	
	C 831	QCF11HZ-103	C CAPACITOR	.010MF +80:-20%			C1164	QETN1AM-107Z	E CAPACITOR	100MF 20% 10V	
	C 832	QCF11HZ-103	C CAPACITOR	.010MF +80:-20%			C1165	QETN1CM-476Z	E CAPACITOR	47MF 20% 16V	
	C 835	QCBB1HK-101Y	C CAPACITOR	100PF 10% 50V			C1166	QETN1CM-476Z	E CAPACITOR	47MF 20% 16V	
	C 836	QCBB1HK-101Y	C CAPACITOR	100PF 10% 50V			C1167	QCBB1HK-221Y	C CAPACITOR	220PF 10% 50V	
	C 871	QCZO205-155Z	ML C CAPACITOR	1.5MF			C1169	QETN1CM-476Z	E CAPACITOR	47MF 20% 16V	
	C 905	QCF11HZ-103	C CAPACITOR	.010MF +80:-20%			C1170	QETN1CM-476Z	E CAPACITOR	47MF 20% 16V	
	C 906	QCF11HZ-103	C CAPACITOR	.010MF +80:-20%			C1171	QCBB1HK-221Y	C CAPACITOR	220PF 10% 50V	
	CN131	QGB2501K2-10	B TO B CONNE				C1173	QETN1CM-476Z	E CAPACITOR	47MF 20% 16V	
	CN132	QGB2501K1-04	CONNECTOR				C1174	QETN1CM-476Z	E CAPACITOR	47MF 20% 16V	
	CN133	QGB2501J1-12	CONNECTOR				C1175	QCBB1HK-221Y	C CAPACITOR	220PF 10% 50V	
	CN134	QGB2501J1-04	CONNECTOR				C1176	QETN1CM-476Z	E CAPACITOR	47MF 20% 16V	
	CN151	QGF1016C1-19	CONNECTOR				C1177	QETN1CM-476Z	E CAPACITOR	47MF 20% 16V	
	CN231	QGF1205C1-10	CONNECTOR				C1178	QETN1CM-476Z	E CAPACITOR	47MF 20% 16V	
	CN801	QGF1016C1-35	FFC/FPC CONNE	DVD-MAIN			C1179	QETN1CM-476Z	E CAPACITOR	47MF 20% 16V	
	CN802	QGA2001C1-15	15P PLUG ASSY	MAIN-FL			C1180	QETN1CM-476Z	E CAPACITOR	47MF 20% 16V	
	CN804	QGF1016C1-13	CONNECTOR	DSP-MAIN			C1181	QETN1CM-476Z	E CAPACITOR	47MF 20% 16V	
	CN805	QGB2501J1-10	B TO B CONNE				C1182	QETN1HM-475Z	E CAPACITOR	4.7MF 20% 50V	
	CN806	QGB2501J1-04	CONNECTOR				C1183	QETN1HM-106Z	E CAPACITOR	10MF 20% 50V	
	CN807	QGB2011MP-08	B TO B CONNE				C1201	QTE1H06-475Z	E CAPACITOR		
	CN808	QGB2011MP-08	B TO B CONNE				C1202	QTE1H06-475Z	E CAPACITOR		
	C1101	QCBB1HK-331Y	C CAPACITOR	330PF 10% 50V			C1203	QETN1HM-475Z	E CAPACITOR	4.7MF 20% 50V	
	C1102	QCBB1HK-331Y	C CAPACITOR	330PF 10% 50V			C1204	QETN1HM-475Z	E CAPACITOR	4.7MF 20% 50V	

■ Electrical parts list (Main board)

Block No. 01

△	Item	Parts number	Parts name	Remarks	Area	△	Item	Parts number	Parts name	Remarks	Area
	C1205	QETN1HM-475Z	E CAPACITOR	4.7MF 20% 50V			L1302	QQR0590-001	FILTER		
	C1206	QTE1H06-475Z	E CAPACITOR				Q 231	KTA1267/YG/-T	TRANSISTOR		
	C1211	QTE1H06-475Z	E CAPACITOR				Q 232	KTA1267/YG/-T	TRANSISTOR		
	C1212	QTE1H06-475Z	E CAPACITOR				Q 233	KTA1267/YG/-T	TRANSISTOR		
	C1213	QETN1HM-475Z	E CAPACITOR	4.7MF 20% 50V			Q 234	KTA1267/YG/-T	TRANSISTOR		
	C1214	QETN1HM-475Z	E CAPACITOR	4.7MF 20% 50V			Q 236	KTA1267/YG/-T	TRANSISTOR		
	C1215	QETN1HM-475Z	E CAPACITOR	4.7MF 20% 50V			Q 801	KRC102M-T	D.TRANSISTOR		
	C1216	QTE1H06-475Z	E CAPACITOR				Q 802	KRC102M-T	D.TRANSISTOR		
	C1301	QFLC1HJ-562Z	M CAPACITOR	5600PF 5% 50V			Q 803	KRC102M-T	D.TRANSISTOR		
	C1302	QFLC1HJ-562Z	M CAPACITOR	5600PF 5% 50V			Q 804	KRC102M-T	D.TRANSISTOR		
	C1351	QETN1AM-107Z	E CAPACITOR	100MF 20% 10V			Q 805	KTA1267/YG/-T	TRANSISTOR		
	C1352	QETN1HM-106Z	E CAPACITOR	10MF 20% 50V			Q 806	KTA1267/YG/-T	TRANSISTOR		
	D 801	1SS133-T2	SI DIODE				Q 807	KRA102M-T	D.TRANSISTOR		
	D 802	MTZJ6.2C-T2	Z DIODE I/M				Q 811	KRC102M-T	D.TRANSISTOR		
	D 803	MTZJ6.2C-T2	Z DIODE I/M				Q 812	KTA1271/OY/-T	TRANSISTOR		
	D 807	1SS133-T2	SI DIODE				Q 813	DTC144ESA-T	D.TRANSISTOR		
	D 809	1SS133-T2	SI DIODE				Q 814	KTA1271/OY/-T	TRANSISTOR		
	D 811	1SS133-T2	SI DIODE				Q 815	KTC3199/GL/-T	TRANSISTOR		
	D 813	1SS133-T2	SI DIODE				Q 816	KRA102M-T	D.TRANSISTOR		
	D 814	1SS133-T2	SI DIODE				Q1131	2SC2878/AB/-T	TRANSISTOR		
	D 818	1SS133-T2	SI DIODE				Q1132	2SC2878/AB/-T	TRANSISTOR		
	D 820	1SS133-T2	SI DIODE				Q1133	2SC2878/AB/-T	TRANSISTOR		
	D1351	1SS133-T2	SI DIODE				Q1134	2SC2878/AB/-T	TRANSISTOR		
	D1352	MTZJ6.8A-T2	ZENER DIODE				Q1135	2SC2878/AB/-T	TRANSISTOR		
	EP801	QNZ0136-001Z	EARTH PLATE				Q1136	2SC2878/AB/-T	TRANSISTOR		
	EP802	QNZ0136-001Z	EARTH PLATE				Q1137	2SC2878/AB/-T	TRANSISTOR		
	EP803	QNZ0136-001Z	EARTH PLATE				Q1351	KTC3203/OY/-T	TRANSISTOR		
	EP805	QNZ0136-001Z	EARTH PLATE				R 231	QRE141J-750Y	C RESISTOR	75 5% 1/4W	
	FW901	QUM157-08DGZ4	PARA RIBON WIRE	TO CN911/912			R 232	QRE141J-750Y	C RESISTOR	75 5% 1/4W	
	HS156	E70945-H40B	HEAT SINK	FOR IC156			R 233	QRE141J-750Y	C RESISTOR	75 5% 1/4W	
	IC151	TC9164AN	IC	INPUT SOURCE			R 234	QRE141J-750Y	C RESISTOR	75 5% 1/4W	
	IC152	TC9162AN	IC	REC SOURCE			R 235	QRE141J-331Y	C RESISTOR	330 5% 1/4W	
	IC153	TC9459F	IC				R 236	QRE141J-331Y	C RESISTOR	330 5% 1/4W	
	IC154	TC9459F	IC				R 237	QRE141J-473Y	C RESISTOR	47K 5% 1/4W	
	IC155	TC9459F	IC				R 238	QRE141J-473Y	C RESISTOR	47K 5% 1/4W	
	IC156	NJM78M05FA	IC	5V REG			R 239	QRE141J-331Y	C RESISTOR	330 5% 1/4W	
	IC157	NJM4580L	IC				R 241	QRE141J-151Y	C RESISTOR	150 5% 1/4W	
	IC158	NJM4580L	IC				R 242	QRE141J-151Y	C RESISTOR	150 5% 1/4W	
	IC159	NJM4580L	IC			△	R 243	QRZ9006-4R7X	F RESISTOR	4.7 1/4W	
	IC160	NJM4580L	IC				R 246	QRE141J-222Y	C RESISTOR	2.2K 5% 1/4W	
	IC231	BA7625	IC				R 247	QRE141J-221Y	C RESISTOR	220 5% 1/4W	
	IC233	M5278L09-T	IC I/M				R 248	QRE141J-750Y	C RESISTOR	75 5% 1/4W	
	IC801	MN101C12GHE	IC	DVD SYSTEM MICO			R 249	QRE141J-102Y	C RESISTOR	1.0K 5% 1/4W	
	IC802	MN101C15FHF	MPU	RECIEVER MICOM			R 250	QRE141J-102Y	C RESISTOR	1.0K 5% 1/4W	
	IC803	IC-PST9140-T	IC				R 251	QRE141J-221Y	C RESISTOR	220 5% 1/4W	
	IC804	BR93LC46-W	IC				R 252	QRE141J-680Y	C RESISTOR	68 5% 1/4W	
	J 231	QNN0063-001	PIN JACK				R 253	QRE141J-391Y	C RESISTOR	390 5% 1/4W	
	J 232	QNN0063-001	PIN JACK				R 254	QRE141J-680Y	C RESISTOR	68 5% 1/4W	
	J 801	QNS0016-001	3.5 JACK	COMPULINK			R 255	QRE141J-391Y	C RESISTOR	390 5% 1/4W	
	J 802	QNS0016-001	3.5 JACK	AV COMPULINK			R 261	QRE141J-102Y	C RESISTOR	1.0K 5% 1/4W	
△	J 901	QNC0006-001	AC SOCKET				R 262	QRE141J-750Y	C RESISTOR	75 5% 1/4W	
	J1101	QNN0325-001	PIN JACK				R 271	QRE141J-122Y	C RESISTOR	1.2K 5% 1/4W	
	J1102	QNN0325-001	PIN JACK				R 272	QRE141J-751Y	C RESISTOR	750 5% 1/4W	
	J1103	QND0079-001	DIN CONNECTOR				R 273	QRE141J-751Y	C RESISTOR	750 5% 1/4W	
	K 801	QQR0779-001Z	INDUCTOR				R 274	QRE141J-122Y	C RESISTOR	1.2K 5% 1/4W	
	K 802	QQR0779-001Z	INDUCTOR				R 275	QRE141J-221Y	C RESISTOR	220 5% 1/4W	
	K 803	QQR0779-001Z	INDUCTOR				R 276	QRE141J-102Y	C RESISTOR	1.0K 5% 1/4W	
	L 251	QQL071J-5R6Y	INDUCTOR				R 801	QRE141J-101Y	C RESISTOR	100 5% 1/4W	
	L 252	QQL071J-120Y	INDUCTOR				R 802	QRE141J-221Y	C RESISTOR	220 5% 1/4W	
	L 271	QQL071J-120Y	INDUCTOR				R 803	QRE141J-101Y	C RESISTOR	100 5% 1/4W	
	L 272	QQL071J-5R6Y	INDUCTOR				R 805	QRE141J-101Y	C RESISTOR	100 5% 1/4W	
	L 901	QQR1145-001	INDUCTOR				R 806	QRE141J-103Y	C RESISTOR	10K 5% 1/4W	
	L1301	QQR0590-001	FILTER				R 811	QRE141J-101Y	C RESISTOR	100 5% 1/4W	



## ■ Electrical parts list (Main board)

Block No. 01

△	Item	Parts number	Parts name	Remarks	Area	△	Item	Parts number	Parts name	Remarks	Area
	R 812	QRE141J-472Y	C RESISTOR	4.7K 5% 1/4W			R1105	QRE141J-471Y	C RESISTOR	470 5% 1/4W	
	R 813	QRE141J-101Y	C RESISTOR	100 5% 1/4W			R1106	QRE141J-471Y	C RESISTOR	470 5% 1/4W	
	R 817	QRE141J-223Y	C RESISTOR	22K 5% 1/4W			R1107	QRE141J-471Y	C RESISTOR	470 5% 1/4W	
	R 818	QRE141J-472Y	C RESISTOR	4.7K 5% 1/4W			R1108	QRE141J-471Y	C RESISTOR	470 5% 1/4W	
△	R 821	QRZ9006-4R7X	F RESISTOR	4.7 1/4W			R1109	QRE141J-471Y	C RESISTOR	470 5% 1/4W	
	R 822	QRE141J-223Y	C RESISTOR	22K 5% 1/4W			R1110	QRE141J-471Y	C RESISTOR	470 5% 1/4W	
	R 823	QRE141J-223Y	C RESISTOR	22K 5% 1/4W			R1111	QRE141J-471Y	C RESISTOR	470 5% 1/4W	
	R 824	QRE141J-223Y	C RESISTOR	22K 5% 1/4W			R1112	QRE141J-471Y	C RESISTOR	470 5% 1/4W	
	R 825	QRE141J-223Y	C RESISTOR	22K 5% 1/4W			R1115	QRE141J-104Y	C RESISTOR	100K 5% 1/4W	
	R 829	QRE141J-103Y	C RESISTOR	10K 5% 1/4W			R1116	QRE141J-104Y	C RESISTOR	100K 5% 1/4W	
	R 831	QRE141J-102Y	C RESISTOR	1.0K 5% 1/4W			R1117	QRE141J-104Y	C RESISTOR	100K 5% 1/4W	
	R 832	QRE141J-102Y	C RESISTOR	1.0K 5% 1/4W			R1118	QRE141J-104Y	C RESISTOR	100K 5% 1/4W	
	R 833	QRE141J-102Y	C RESISTOR	1.0K 5% 1/4W			R1125	QRE141J-222Y	C RESISTOR	2.2K 5% 1/4W	
	R 834	QRE141J-102Y	C RESISTOR	1.0K 5% 1/4W			R1126	QRE141J-222Y	C RESISTOR	2.2K 5% 1/4W	
	R 835	QRE141J-102Y	C RESISTOR	1.0K 5% 1/4W			R1127	QRE141J-122Y	C RESISTOR	1.2K 5% 1/4W	
	R 836	QRE141J-102Y	C RESISTOR	1.0K 5% 1/4W			R1128	QRE141J-122Y	C RESISTOR	1.2K 5% 1/4W	
	R 841	QRE141J-102Y	C RESISTOR	1.0K 5% 1/4W			R1129	QRE141J-272Y	C RESISTOR	2.7K 5% 1/4W	
	R 843	QRE141J-102Y	C RESISTOR	1.0K 5% 1/4W			R1130	QRE141J-272Y	C RESISTOR	2.7K 5% 1/4W	
	R 844	QRE141J-102Y	C RESISTOR	1.0K 5% 1/4W			R1131	QRE141J-104Y	C RESISTOR	100K 5% 1/4W	
	R 845	QRE141J-102Y	C RESISTOR	1.0K 5% 1/4W			R1132	QRE141J-104Y	C RESISTOR	100K 5% 1/4W	
	R 846	QRE141J-102Y	C RESISTOR	1.0K 5% 1/4W			R1133	QRE141J-102Y	C RESISTOR	1.0K 5% 1/4W	
	R 847	QRE141J-102Y	C RESISTOR	1.0K 5% 1/4W			R1134	QRE141J-102Y	C RESISTOR	1.0K 5% 1/4W	
	R 848	QRE141J-102Y	C RESISTOR	1.0K 5% 1/4W			R1135	QRE141J-332Y	C RESISTOR	3.3K 5% 1/4W	
	R 849	QRE141J-102Y	C RESISTOR	1.0K 5% 1/4W			R1136	QRE141J-332Y	C RESISTOR	3.3K 5% 1/4W	
	R 850	QRE141J-221Y	C RESISTOR	220 5% 1/4W			R1137	QRE141J-104Y	C RESISTOR	100K 5% 1/4W	
	R 851	QRE141J-221Y	C RESISTOR	220 5% 1/4W			R1138	QRE141J-104Y	C RESISTOR	100K 5% 1/4W	
	R 852	QRE141J-221Y	C RESISTOR	220 5% 1/4W			R1139	QRE141J-104Y	C RESISTOR	100K 5% 1/4W	
	R 853	QRE141J-102Y	C RESISTOR	1.0K 5% 1/4W			R1140	QRE141J-104Y	C RESISTOR	100K 5% 1/4W	
	R 854	QRE141J-102Y	C RESISTOR	1.0K 5% 1/4W			R1141	QRE141J-102Y	C RESISTOR	1.0K 5% 1/4W	
	R 855	QRE141J-102Y	C RESISTOR	1.0K 5% 1/4W			R1142	QRE141J-102Y	C RESISTOR	1.0K 5% 1/4W	
	R 856	QRE141J-102Y	C RESISTOR	1.0K 5% 1/4W			R1143	QRE141J-332Y	C RESISTOR	3.3K 5% 1/4W	
	R 857	QRE141J-102Y	C RESISTOR	1.0K 5% 1/4W			R1144	QRE141J-332Y	C RESISTOR	3.3K 5% 1/4W	
	R 858	QRE141J-102Y	C RESISTOR	1.0K 5% 1/4W			R1145	QRE141J-104Y	C RESISTOR	100K 5% 1/4W	
	R 859	QRE141J-102Y	C RESISTOR	1.0K 5% 1/4W			R1146	QRE141J-104Y	C RESISTOR	100K 5% 1/4W	
	R 860	QRE141J-102Y	C RESISTOR	1.0K 5% 1/4W			R1147	QRE141J-104Y	C RESISTOR	100K 5% 1/4W	
	R 861	QRE141J-102Y	C RESISTOR	1.0K 5% 1/4W			R1148	QRE141J-104Y	C RESISTOR	100K 5% 1/4W	
	R 862	QRE141J-102Y	C RESISTOR	1.0K 5% 1/4W			R1149	QRE141J-471Y	C RESISTOR	470 5% 1/4W	
	R 863	QRE141J-102Y	C RESISTOR	1.0K 5% 1/4W			R1150	QRE141J-102Y	C RESISTOR	1.0K 5% 1/4W	
	R 864	QRE141J-102Y	C RESISTOR	1.0K 5% 1/4W			R1151	QRE141J-472Y	C RESISTOR	4.7K 5% 1/4W	
	R 865	QRE141J-102Y	C RESISTOR	1.0K 5% 1/4W			R1152	QRE141J-332Y	C RESISTOR	3.3K 5% 1/4W	
	R 866	QRE141J-102Y	C RESISTOR	1.0K 5% 1/4W			R1153	QRE141J-471Y	C RESISTOR	470 5% 1/4W	
	R 867	QRE141J-221Y	C RESISTOR	220 5% 1/4W			R1154	QRE141J-472Y	C RESISTOR	4.7K 5% 1/4W	
	R 868	QRE141J-221Y	C RESISTOR	220 5% 1/4W			R1155	QRE141J-104Y	C RESISTOR	100K 5% 1/4W	
	R 869	QRE141J-221Y	C RESISTOR	220 5% 1/4W			R1156	QRE141J-104Y	C RESISTOR	100K 5% 1/4W	
	R 871	QRE141J-681Y	C RESISTOR	680 5% 1/4W			R1157	QRE141J-332Y	C RESISTOR	3.3K 5% 1/4W	
	R 872	QRE141J-332Y	C RESISTOR	3.3K 5% 1/4W			R1158	QRE141J-273Y	C RESISTOR	27K 5% 1/4W	
	R 873	QRE141J-332Y	C RESISTOR	3.3K 5% 1/4W			R1161	QRE141J-104Y	C RESISTOR	100K 5% 1/4W	
	R 874	QRE141J-332Y	C RESISTOR	3.3K 5% 1/4W			R1162	QRE141J-104Y	C RESISTOR	100K 5% 1/4W	
	R 877	QRE141J-223Y	C RESISTOR	22K 5% 1/4W			R1163	QRE141J-104Y	C RESISTOR	100K 5% 1/4W	
	R 881	QRE141J-223Y	C RESISTOR	22K 5% 1/4W			R1164	QRE141J-104Y	C RESISTOR	100K 5% 1/4W	
	R 882	QRE141J-223Y	C RESISTOR	22K 5% 1/4W			R1165	QRE141J-104Y	C RESISTOR	100K 5% 1/4W	
	R 883	QRE141J-223Y	C RESISTOR	22K 5% 1/4W			R1166	QRE141J-104Y	C RESISTOR	100K 5% 1/4W	
	R 888	QRE141J-104Y	C RESISTOR	100K 5% 1/4W			R1167	QRE141J-332Y	C RESISTOR	3.3K 5% 1/4W	
	R 889	QRE141J-223Y	C RESISTOR	22K 5% 1/4W			R1168	QRE141J-332Y	C RESISTOR	3.3K 5% 1/4W	
	R 890	QRE141J-103Y	C RESISTOR	10K 5% 1/4W			R1169	QRE141J-123Y	C RESISTOR	12K 5% 1/4W	
	R 891	QRE141J-102Y	C RESISTOR	1.0K 5% 1/4W			R1170	QRE141J-123Y	C RESISTOR	12K 5% 1/4W	
	R 892	QRE141J-105Y	C RESISTOR	1.0M 5% 1/4W			R1171	QRE141J-332Y	C RESISTOR	3.3K 5% 1/4W	
	R 893	QRE141J-332Y	C RESISTOR	3.3K 5% 1/4W			R1172	QRE141J-332Y	C RESISTOR	3.3K 5% 1/4W	
	R 894	QRE141J-103Y	C RESISTOR	10K 5% 1/4W			R1173	QRE141J-123Y	C RESISTOR	12K 5% 1/4W	
	R1101	QRE141J-471Y	C RESISTOR	470 5% 1/4W			R1174	QRE141J-123Y	C RESISTOR	12K 5% 1/4W	
	R1102	QRE141J-471Y	C RESISTOR	470 5% 1/4W			R1175	QRE141J-332Y	C RESISTOR	3.3K 5% 1/4W	
	R1103	QRE141J-471Y	C RESISTOR	470 5% 1/4W			R1176	QRE141J-123Y	C RESISTOR	12K 5% 1/4W	
	R1104	QRE141J-471Y	C RESISTOR	470 5% 1/4W		△	R1181	QRZ9005-470X	F.RES I/M	47 1/4W	

## ■ Electrical parts list (Main board)

Block No. 01

△	Item	Parts number	Parts name	Remarks	Area
△	R1182	QRZ9005-470X	F.RES I/M	47 1/4W	
△	R1183	QRZ9005-470X	F.RES I/M	47 1/4W	
△	R1184	QRZ9005-470X	F.RES I/M	47 1/4W	
△	R1185	QRZ9005-470X	F.RES I/M	47 1/4W	
△	R1186	QRZ9005-470X	F.RES I/M	47 1/4W	
△	R1187	QRZ9005-470X	F.RES I/M	47 1/4W	
△	R1188	QRZ9005-470X	F.RES I/M	47 1/4W	
△	R1189	QRZ9005-470X	F.RES I/M	47 1/4W	
△	R1190	QRZ9005-470X	F.RES I/M	47 1/4W	
△	R1191	QRZ9005-470X	F.RES I/M	47 1/4W	
△	R1192	QRZ9005-470X	F.RES I/M	47 1/4W	
△	R1193	QRZ9005-470X	F.RES I/M	47 1/4W	
△	R1194	QRZ9005-470X	F.RES I/M	47 1/4W	
	R1196	QRE141J-474Y	C RESISTOR	470K 5% 1/4W	
	R1197	QRE141J-474Y	C RESISTOR	470K 5% 1/4W	
	R1301	QRE141J-472Y	C RESISTOR	4.7K 5% 1/4W	
	R1302	QRE141J-472Y	C RESISTOR	4.7K 5% 1/4W	
△	R1351	QRZ9006-4R7X	F RESISTOR	4.7 1/4W	
	R1352	QRE141J-102Y	C RESISTOR	1.0K 5% 1/4W	
	SP153	VYH7653-002	IC HOLDER	FOR IC1153	
	SP154	VYH7653-002	IC HOLDER	FOR IC1154	
	SP155	VYH7653-002	IC HOLDER	FOR IC1154	
	SP801	VYH7237-005	IC HOLDER	FOR IC801	
	SP802	VYH7237-003SC	IC HOLDER	FOR IC802	
	WA231	WJP0017-001A	E-SH C WIRE C-B	JSC:WJP0017-001	
	X 801	QAX0356-001Z	RESONATOR		
	X 802	QAX0246-001Z	RESONATOR		

**Electrical parts list (Front & Power board) Block No. 02**

Item	Parts number	Parts name	Remarks	Area	Item	Parts number	Parts name	Remarks	Area
C 201	NCS21HJ-470X	C CAPACITOR			C 974	QETN0JM-108Z	E CAPACITOR	1000MF 20% 6.3V	
C 202	NCS21HJ-470X	C CAPACITOR			C 975	QETN0JM-108Z	E CAPACITOR	1000MF 20% 6.3V	
C 203	NCS21HJ-470X	C CAPACITOR			C 977	NCB21HK-102X	C CAPACITOR		
C 204	NCS21HJ-470X	C CAPACITOR			C 978	QETN0JM-108Z	E CAPACITOR	1000MF 20% 6.3V	
C 205	NCB21EK-473X	C CAPACITOR			C 979	QETN0JM-108Z	E CAPACITOR	1000MF 20% 6.3V	
C 206	QERF1EM-475Z	E CAPACITOR	4.7MF 20% 25V		C 980	QETN0JM-108Z	E CAPACITOR	1000MF 20% 6.3V	
C 207	NCB21EK-473X	C CAPACITOR			C 981	NCB21HK-102X	C CAPACITOR		
C 208	QERF1EM-475Z	E CAPACITOR	4.7MF 20% 25V		C 982	QETN1AM-477Z	E CAPACITOR	470MF 20% 10V	
C 209	NCB21EK-473X	C CAPACITOR			C 983	QETN1AM-477Z	E CAPACITOR	470MF 20% 10V	
C 210	QETN0JM-477Z	E CAPACITOR	470MF 20% 6.3V		C 984	NCB21HK-102X	C CAPACITOR		
C 211	NCB21EK-473X	C CAPACITOR			C 986	NCB21HK-331X	C.CAPACITOR		
C 212	QETN0JM-477Z	E CAPACITOR	470MF 20% 6.3V		C 987	NCB21HK-331X	C.CAPACITOR		
C 213	NCB21HK-103X	C CAPACITOR			C 988	NCB21HK-331X	C.CAPACITOR		
C 214	NCB21EK-473X	C CAPACITOR			C 989	NCB21HK-331X	C.CAPACITOR		
C 215	QERF1EM-475Z	E CAPACITOR	4.7MF 20% 25V		C 999	QCF11HZ-103	C CAPACITOR	.010MF +80:-20%	
C 216	QER41AM-107	E CAPACITOR	100MF 20% 10V		CN201	QGF1205F1-10	CONNECTOR		
C 217	NCB21HK-103X	C CAPACITOR			CN701	QGA1002F1-15X	CONNECTOR	1MM PITCH	
C 218	QERF1EM-475Z	E CAPACITOR	4.7MF 20% 25V		CN702	QGA2001C1-04	4P PLUG ASSY		
C 226	NCB21EK-473X	C CAPACITOR			CN705	QGA2001C1-05	5P PLUG ASSY		
C 228	NCB21EK-473X	C CAPACITOR			CN706	QGA2001C1-03	3P PLUG ASSY		
C 701	NCB21HK-103X	C CAPACITOR			△ CN911	QGD2501C1-03Z	SOCKET		
C 702	NCB21HK-471X	C CAPACITOR			△ CN912	QGD2501C1-04Z	SOCKET		
C 703	NCB21HK-471X	C CAPACITOR			CN913	QGB2011L1-08	B TO B CONNECTO		
C 704	NCB21HK-471X	C CAPACITOR			CN914	QGB2011L1-08	B TO B CONNECTO		
C 705	NCB21HK-471X	C CAPACITOR			D 701	1SS355-X	DIODE		
C 706	QERF0JM-107Z	E CAPACITOR	100MF 20% 6.3V		D 702	1SS355-X	DIODE		
C 707	NCB21HK-102X	C CAPACITOR			D 703	1SS355-X	DIODE		
C 708	NCB21HK-103X	C CAPACITOR			D 706	1SS355-X	DIODE	BAND 0	
C 709	QERF1HM-475Z	E CAPACITOR	4.7MF 20% 50V		D 713	1SS355-X	DIODE		
C 710	QERF1HM-475Z	E CAPACITOR	4.7MF 20% 50V		D 715	1SS355-X	DIODE		
C 711	QERF0JM-226Z	E CAPACITOR	22MF 20% 6.3V		D 721	SLR-342VC-T	LED	LFE	
C 731	NCB21HK-103X	C CAPACITOR			D 722	SLR-342VC-T	LED	L	
C 732	NCB21HK-103X	C CAPACITOR			D 723	SLR-342VC-T	LED	C	
C 733	QERF0JM-226Z	E CAPACITOR	22MF 20% 6.3V		D 724	SLR-342VC-T	LED	R	
C 911	QETN1VM-227Z	E CAPACITOR I/M	220MF 20% 35V		D 725	SLR-342VC-T	LED	LS	
C 912	QETN1HM-227Z	E CAPACITOR	220MF 20% 50V		D 726	SLR-342VC-T	LED	S	
C 913	QETN1HM-476Z	E CAPACITOR	47MF 20% 50V		D 727	SLR-342VC-T	LED	RS	
C 914	QETN1HM-476Z	E CAPACITOR	47MF 20% 50V		D 731	SELU1E56BM	LED	EJECT LED(BLUE)	
C 915	QETN1AM-107Z	E CAPACITOR	100MF 20% 10V		D 732	SELU1E56BM	LED	POWER LED(BLUE)	
C 921	QETM1EM-228	E CAPACITOR	2200MF 20% 25V		D 733	SLR-342VC-T	LED	STANDBY LED	
C 922	QETN1EM-108Z	E CAPACITOR	1000MF 20% 25V		D 734	1SS355-X	DIODE		
C 923	QETN1CM-476Z	E CAPACITOR	47MF 20% 16V		△ D 911	1SR35-400A-T5	DIODE I/M		
C 924	QETN1HM-105Z	E CAPACITOR	1.0MF 20% 50V		△ D 912	1SR35-400A-T5	DIODE I/M		
C 925	QETN1CM-476Z	E CAPACITOR	47MF 20% 16V		△ D 913	1SR35-400A-T5	DIODE I/M		
C 926	QETN1CM-476Z	E CAPACITOR	47MF 20% 16V		D 915	1SS355-X	DIODE		
C 927	QCF11HZ-103	C CAPACITOR	.010MF +80:-20%		D 916	MA3360/L/-X	Z.DIODE C.M		
C 928	QCF11HZ-103	C CAPACITOR	.010MF +80:-20%		D 918	1SS355-X	DIODE		
C 936	QETN1HM-225Z	E CAPACITOR	2.2MF 20% 50V		D 919	1SS355-X	DIODE		
C 941	QCF11HZ-103	C CAPACITOR	.010MF +80:-20%		△ D 921	1SR35-400A-T5	DIODE I/M		
C 942	QCF11HZ-103	C CAPACITOR	.010MF +80:-20%		△ D 922	1SR35-400A-T5	DIODE I/M		
C 943	QETM1EM-478	E CAPACITOR	4700MF 20% 25V		△ D 923	1SR35-400A-T5	DIODE I/M		
C 944	QETN1HM-106Z	E CAPACITOR	10MF 20% 50V		△ D 924	1SR35-400A-T5	DIODE I/M		
C 945	NCB11CK-105X	C CAPACITOR			D 925	MA3100/M/-X	ZENER DIODE		
C 946	NCB11CK-105X	C CAPACITOR			D 926	MA3030/L/-X	Z.DIODE I.M		
C 947	NCB21HK-221X	C CAPACITOR			D 927	1SS355-X	DIODE		
C 948	NCB21HK-221X	C CAPACITOR			△ D 928	1SS388-X	SB DIODE		
C 961	NCB21HK-221X	C CAPACITOR			D 936	1SS355-X	DIODE		
C 962	NCB21HK-221X	C CAPACITOR			D 937	1SS355-X	DIODE		
C 963	NCB21HK-153X	C CAPACITOR			D 939	MA3051/M/-X	ZENER DIODE		
C 964	NCS21HJ-152X	C CAPACITOR			△ D 941	D3SBA20-S3	DIODE		
C 965	QEK1EM-476Z	E.CAPACITOR	47MF 20% 25V		D 942	CRS01-W	SB DIODE		
C 971	QETN0JM-477Z	E CAPACITOR	470MF 20% 6.3V		D 943	SFPJ-73-W	SB.DIODE C.M		
C 972	QETN0JM-477Z	E CAPACITOR	470MF 20% 6.3V		D 944	SFPJ-73-W	SB.DIODE C.M		

■ Electrical parts list (Front & Power board) Block No. 02

△	Item	Parts number	Parts name	Remarks	Area	△	Item	Parts number	Parts name	Remarks	Area
	D 945	CRS01-W	SB DIODE				Q 912	2SB647/CD/-T	TRANSISTOR		
	D 947	1SS355-X	DIODE				Q 913	2SD2144S/VW/-T	TRANSISTOR		
	D 948	1SS355-X	DIODE				Q 914	2SD2144S/VW/-T	TRANSISTOR		
	D 949	1SS355-X	DIODE				Q 915	DTA114EKA-X	DIGITAL.TRANSIS		
	D 950	1SS355-X	DIODE				Q 921	2SB1566/EF/	TRANSISTOR		
	D 951	1SS355-X	DIODE				Q 922	2SC2412K/RS/-X	CHIP TRANSISTOR		
	D 952	1SS355-X	DIODE				Q 923	2SB1566/EF/	TRANSISTOR		
	D 953	1SS355-X	DIODE				Q 924	2SA1037AK/RS/-X	TRANSISTOR		
	D 954	1SS355-X	DIODE				Q 932	2SC2412K/RS/-X	CHIP TRANSISTOR		
	D 962	1SS355-X	DIODE				Q 942	2SA1037AK/RS/-X	TRANSISTOR		
	DI701	QLF0073-002	FL TUBE				Q 943	2SB1197K/QR/-X	TRANSISTOR		
	EP901	E409182-001SM	GRAND TERMINAL				Q 944	2SC2412K/RS/-X	CHIP TRANSISTOR		
	HS921	E70945-H40B	HEAT SINK	FOR Q921			Q 945	2SA1037AK/RS/-X	TRANSISTOR		
	HS923	LE40505-001A	HEAT SINK	FOR Q923			Q 946	2SB1188/QR/-W	CHIP TRANSISTOR		
	IC201	BA7625	IC				Q 947	2SC2412K/RS/-X	CHIP TRANSISTOR		
	IC202	BA7625	IC				Q 948	2SA1037AK/RS/-X	TRANSISTOR		
	IC701	MN173222DM	IC	DISPLAY MICOM			Q 949	2SB1188/QR/-W	CHIP TRANSISTOR		
△	IC711	GP1U261X	IR DETECT UNIT				Q 950	2SC2412K/RS/-X	CHIP TRANSISTOR		
	IC941	MB3785APFV	IC				Q 951	2SA1037AK/RS/-X	TRANSISTOR		
	J 201	QND0002-001	S-CONNECTOR				Q 952	2SB1188/QR/-W	CHIP TRANSISTOR		
	J 202	QND0002-002	S-CONNECTOR				Q 954	SI2305DS-X	TRANSISTOR		
	K 941	QQR0601-001Z	FERRITE BEADS				Q 955	DTC124EKA-X	TRANSISTOR		
	K 942	QQR0601-001Z	FERRITE BEADS				Q 956	DTC124EKA-X	TRANSISTOR		
	K 943	QQR0601-001Z	FERRITE BEADS				R 21	NRSA02J-271X	MG RESISTOR		
	K 944	QQR0601-001Z	FERRITE BEADS				R 22	NRSA02J-271X	MG RESISTOR		
	K 945	QQR0601-001Z	FERRITE BEADS				R 23	NRSA02J-221X	MG RESISTOR		
	K 946	QQR0601-001Z	FERRITE BEADS				R 24	NRSA02J-221X	MG RESISTOR		
	K 947	QQR0601-001Z	FERRITE BEADS				R 25	NRSA02J-750X	MG RESISTOR		
	K 948	QQR0601-001Z	FERRITE BEADS				R 26	NRSA02J-750X	MG RESISTOR		
	K 949	QQR0601-001Z	FERRITE BEADS				R 201	NRSA02J-750X	MG RESISTOR		
	K 950	QQR0601-001Z	FERRITE BEADS				R 202	NRSA02J-750X	MG RESISTOR		
	K 951	QQR0601-001Z	FERRITE BEADS				R 203	NRSA02J-750X	MG RESISTOR		
	K 953	QQR0601-001Z	FERRITE BEADS				R 204	NRSA02J-750X	MG RESISTOR		
	L 941	QLL31AK-470Z	INDUCTOR				R 206	NRSA02J-473X	MG RESISTOR		
	L 945	QLL44BK-681Z	INDUCTOR				R 207	NRSA02J-750X	MG RESISTOR		
	L 946	QLL49AK-470Z	INDUCTOR				R 208	NRSA02J-750X	MG RESISTOR		
	L 947	QLL58AK-680	INDUCTOR				R 210	NRSA02J-473X	MG RESISTOR		
	L 948	QLL49AK-470Z	INDUCTOR				R 211	NRSA02J-750X	MG RESISTOR		
	L 950	QLL44BK-121Z	INDUCTOR I/M				R 212	NRSA02J-750X	MG RESISTOR		
	L 951	QLL49AK-470Z	INDUCTOR				R 216	NRSA02J-331X	MG RESISTOR		
	L 952	QLL49AK-470Z	INDUCTOR				R 217	NRSA02J-331X	MG RESISTOR		
	L 953	QLL44BK-181Z	INDUCTOR I/M				R 218	NRSA02J-271X	MG RESISTOR		
	L 954	QLL49AK-470Z	INDUCTOR				R 219	NRSA02J-271X	MG RESISTOR		
	Q 201	2SA1037AK/RS/-X	TRANSISTOR				R 220	QRZ9006-4R7X	F RESISTOR	4.7 1/4W	
	Q 202	2SA1037AK/RS/-X	TRANSISTOR				R 701	NRSA02J-102X	MG RESISTOR		
	Q 203	2SA1037AK/RS/-X	TRANSISTOR				R 702	NRSA02J-102X	MG RESISTOR		
	Q 204	2SA1037AK/RS/-X	TRANSISTOR				R 703	NRSA02J-102X	MG RESISTOR		
	Q 703	DTC124EKA-X	TRANSISTOR				R 704	NRSA02J-102X	MG RESISTOR		
	Q 704	DTC124EKA-X	TRANSISTOR				R 705	NRSA02J-102X	MG RESISTOR		
	Q 705	DTC114TKA-X	TRANSISTOR				R 707	NRSA02J-103X	MG RESISTOR		
	Q 706	DTA114EKA-X	DIGITAL.TRANSIS				R 708	NRSA02J-103X	MG RESISTOR		
	Q 707	DTA114EKA-X	DIGITAL.TRANSIS				R 709	NRSA02J-103X	MG RESISTOR		
	Q 708	DTA114EKA-X	DIGITAL.TRANSIS				R 710	NRSA02J-103X	MG RESISTOR		
	Q 709	DTA114EKA-X	DIGITAL.TRANSIS				R 711	NRSA02J-223X	MG RESISTOR		
	Q 711	DTC114EKA-X	TRANSISTOR				R 712	NRSA02J-102X	MG RESISTOR		
	Q 712	DTC114EKA-X	TRANSISTOR				R 713	NRSA02J-104X	MG RESISTOR		
	Q 713	DTC114EKA-X	TRANSISTOR				R 714	NRSA02J-104X	MG RESISTOR		
	Q 714	DTC114EKA-X	TRANSISTOR				R 715	NRSA02J-104X	MG RESISTOR		
	Q 715	DTC114EKA-X	TRANSISTOR				R 716	NRSA02J-104X	MG RESISTOR		
	Q 716	DTC114EKA-X	TRANSISTOR				R 724	NRSA02J-221X	MG RESISTOR		
	Q 717	DTC114EKA-X	TRANSISTOR				R 725	NRSA02J-103X	MG RESISTOR		
	Q 718	DTC114EKA-X	TRANSISTOR				R 726	NRSA02J-223X	MG RESISTOR		
	Q 911	KRC102M-T	D.TRANSISTOR				R 727	NRSA02J-223X	MG RESISTOR		

**■ Electrical parts list (Front & Power board) Block No. 02**

△	Item	Parts number	Parts name	Remarks	Area	△	Item	Parts number	Parts name	Remarks	Area
	R 728	NRSA02J-221X	MG RESISTOR				R 969	NRSA02J-272X	MG RESISTOR		
	R 729	NRSA02J-471X	MG RESISTOR				R 970	NRSA02J-472X	MG RESISTOR		
	R 731	NRSA02J-301X	MG RESISTOR				R 971	NRSA02J-472X	MG RESISTOR		
	R 732	NRSA02J-472X	MG RESISTOR				R 972	NRSA02J-472X	MG RESISTOR		
	R 741	NRSA02J-221X	MG RESISTOR				R 973	NRSA02J-103X	MG RESISTOR		
	R 742	NRSA02J-221X	MG RESISTOR				R 974	NRSA02J-682X	MG RESISTOR		
	R 743	NRSA02J-221X	MG RESISTOR				R 975	NRSA02J-224X	MG RESISTOR		
	R 744	NRSA02J-221X	MG RESISTOR				R 980	NRSA02J-103X	MG RESISTOR		
	R 745	NRSA02J-221X	MG RESISTOR				R 982	NRSA02J-681X	MG RESISTOR		
	R 746	NRSA02J-221X	MG RESISTOR				R 983	NRSA02J-470X	MG RESISTOR		
	R 747	NRSA02J-221X	MG RESISTOR				R 984	NRSA02J-472X	MG RESISTOR		
	R 751	NRSA02J-221X	MG RESISTOR				R 985	NRSA02J-102X	MG RESISTOR		
	R 752	NRSA02J-472X	MG RESISTOR				R 986	NRSA02J-681X	MG RESISTOR		
	R 753	NRSA02J-301X	MG RESISTOR				R 987	NRSA02J-120X	MG RESISTOR		
	R 756	NRSA02J-103X	MG RESISTOR				R 988	NRSA02J-472X	MG RESISTOR		
△	R 911	QRZ9005-680X	F.RESISTOR	68 1/4W			R 989	NRSA02J-222X	MG RESISTOR		
	R 912	NRSA02J-222X	MG RESISTOR				R 990	NRSA02J-681X	MG RESISTOR		
	R 913	NRSA02J-333X	MG RESISTOR				R 991	NRSA02J-180X	MG RESISTOR		
	R 914	NRSA02J-102X	MG RESISTOR				R 992	NRSA02J-472X	MG RESISTOR		
	R 915	NRSA02J-102X	MG RESISTOR				R 993	NRSA02J-222X	MG RESISTOR		
	R 916	NRSA02J-103X	MG RESISTOR				R 994	NRSA02J-681X	MG RESISTOR		
	R 917	NRSA02J-103X	MG RESISTOR				R 995	NRSA02J-150X	MG RESISTOR		
	R 918	NRSA02J-103X	MG RESISTOR				R 996	NRSA02J-472X	MG RESISTOR		
	R 919	NRSA02J-333X	MG RESISTOR				R 998	NRSA02J-103X	MG RESISTOR		
△	R 921	QRT012J-2R2	UNF.MF.RES.	2.2 5% 1/1W			R9001	NRSA02J-331X	MG RESISTOR		
△	R 922	QRZ9006-4R7X	F RESISTOR	4.7 1/4W			R9007	NRSA02J-121X	MG RESISTOR		
	R 923	NRSA02J-331X	MG RESISTOR				R9010	NRSA02J-101X	MG RESISTOR		
	R 924	NRSA02J-221X	MG RESISTOR				R9013	NRSA02J-151X	MG RESISTOR		
	R 925	NRSA02J-222X	MG RESISTOR				S 701	QSW0683-001Z	PUSH SW I.M		
	R 926	NRSA02J-562X	MG RESISTOR				S 702	QSW0683-001Z	PUSH SW I.M		
	R 927	NRSA02J-562X	MG RESISTOR				S 703	QSW0683-001Z	PUSH SW I.M		
	R 928	NRSA02J-471X	MG RESISTOR				S 704	QSW0683-001Z	PUSH SW I.M		
	R 929	NRSA02J-561X	MG RESISTOR				S 705	QSW0683-001Z	PUSH SW I.M		
	R 935	NRSA02J-472X	MG RESISTOR				S 706	QSW0683-001Z	PUSH SW I.M		
	R 936	NRSA02J-472X	MG RESISTOR				S 707	QSW0683-001Z	PUSH SW I.M		
	R 937	NRSA02J-472X	MG RESISTOR				S 708	QSW0683-001Z	PUSH SW I.M		
	R 938	NRSA02J-102X	MG RESISTOR				S 709	QSW0683-001Z	PUSH SW I.M		
	R 941	NRSA02J-822X	MG RESISTOR				S 710	QSW0683-001Z	PUSH SW I.M		
	R 942	NRSA02J-272X	MG RESISTOR				S 711	QSW0683-001Z	PUSH SW I.M	EJECT	
	R 943	NRSA02J-472X	MG RESISTOR				S 712	QSW0683-001Z	PUSH SW I.M	POWER	
	R 944	NRSA02J-472X	MG RESISTOR				SH901	LV32044-001A	SHIELD CASE		
	R 945	NRSA02J-154X	MG RESISTOR				WA701	QJC002-090804	E-S ID WIRE	JSC:QJC002-0908	
	R 946	NRSA02J-333X	MG RESISTOR				WA702	QJK021-040804	C-B WIRE	JSC:QJK021-0408	
	R 947	NRSA02J-273X	MG RESISTOR				WA703	QJC002-050800	E-S ID WIRE	JSC:QJC002-0508	
	R 948	NRSA02J-472X	MG RESISTOR				WA704	QJC002-090804	E-S ID WIRE	JSC:QJC002-0908	
	R 949	NRSA02J-472X	MG RESISTOR				WA705	QJK021-050800	SIN CR C-B WIRE	JSC:QJK021-0508	
	R 950	NRSA02J-154X	MG RESISTOR				WA706	QJB001-030803	E-S ID WIRE	JSC:QJB001-0308	
	R 951	NRSA02J-333X	MG RESISTOR				WA914	WJK0099-001A	E-SI C WIER C-B	JSC:WJK0099-001	
	R 952	NRSA02J-273X	MG RESISTOR				X 701	NAX0192-001X	C.OSCILLATOR	6MHZ	
	R 953	NRSA02J-272X	MG RESISTOR				Z 901	QNG0020-001Z	FUSE CLIP	FOR F901	
	R 954	NRSA02J-103X	MG RESISTOR				Z 902	QNG0020-001Z	FUSE CLIP	FOR F901	
	R 955	NRSA02J-102X	MG RESISTOR				Z 903	QNG0020-001Z	FUSE CLIP	FOR F902	
	R 956	NRSA02J-102X	MG RESISTOR				Z 904	QNG0020-001Z	FUSE CLIP	FOR F902	
	R 957	NRSA02J-102X	MG RESISTOR				Z 905	QNG0020-001Z	FUSE CLIP	FOR F903	
	R 958	NRSA02J-102X	MG RESISTOR				Z 906	QNG0020-001Z	FUSE CLIP	FOR F903	
	R 961	NRSA02J-103X	MG RESISTOR								
	R 962	NRSA02J-154X	MG RESISTOR								
	R 963	NRSA02J-122X	MG RESISTOR								
	R 964	NRSA02J-752X	MG RESISTOR								
	R 965	NRSA02J-472X	MG RESISTOR								
	R 966	NRSA02J-472X	MG RESISTOR								
	R 967	NRSA02J-103X	MG RESISTOR								
	R 968	NRSA02J-154X	MG RESISTOR								

## ■ Electrical parts list (DSP board)

Block No. 03

△	Item	Parts number	Parts name	Remarks	Area	△	Item	Parts number	Parts name	Remarks	Area
	C 601	NCB31HK-102X	C CAPACITOR				CN681	QGF1016F2-19W	CONNECTOR		
	C 602	NCB31HK-102X	C CAPACITOR				CN687	QGF1016F2-13W	CONNECTOR C.M		
	C 603	NEA70JM-476X	E.CAPACITOR				C2500	NEA71CM-226X	E.CAPACITOR		
	C 604	NEA70JM-476X	E.CAPACITOR				C2501	NCB31AK-474X	C CAPACITOR		
	C 605	NCB31CK-104X	C CAPACITOR				C2503	NEA71EM-475X	E.CAPACITOR.		
	C 606	NCB31CK-104X	C CAPACITOR				C2504	NEA71EM-475X	E.CAPACITOR.		
	C 607	NEA71CM-476X	E CAPACITOR				C2505	NCS31HJ-560X	C CAPACITOR		
	C 608	NCF31CZ-104X	C CAPACITOR				C2506	NCS31HJ-560X	C CAPACITOR		
	C 609	NCB31CK-104X	C CAPACITOR				C2507	NCS31HJ-560X	C CAPACITOR		
	C 610	NEA70JM-476X	E.CAPACITOR				C2508	NCS31HJ-560X	C CAPACITOR		
	C 611	NEA70JM-476X	E.CAPACITOR				C2509	NCF31CZ-104X	C CAPACITOR		
	C 612	NCB31CK-103X	C CAPACITOR				C2510	NCF31CZ-104X	C CAPACITOR		
	C 621	NEA71HM-105X	E.CAPACITOR				C2511	NCB31AK-474X	C CAPACITOR		
	C 622	NCB31HK-101X	C CAPACITOR				C2512	NCB31AK-474X	C CAPACITOR		
	C 623	NCB30JK-105X	C CAPACITOR				C2513	NCB31CK-183X	C CAPACITOR		
	C 624	NCB31CK-104X	C CAPACITOR				C2514	NCB31CK-183X	C CAPACITOR		
	C 625	NCB31CK-104X	C CAPACITOR				C2515	NCB31HK-182X	C CAPACITOR		
	C 628	NCB31CK-103X	C CAPACITOR				C2516	NCB31HK-182X	C CAPACITOR		
	C 631	NEA70JM-107X	E.CAPACITOR				C2517	NCB31HK-562X	C CAPACITOR		
	C 632	NCB31CK-103X	C CAPACITOR				C2518	NCB31HK-562X	C CAPACITOR		
	C 633	NCB31CK-104X	C CAPACITOR				C2519	NCF31CZ-104X	C CAPACITOR		
	C 634	NCB31CK-104X	C CAPACITOR				C2520	NCF31CZ-104X	C CAPACITOR		
	C 635	NCB31CK-104X	C CAPACITOR				C2521	NFV41CJ-103X	M CAPACITOR		
	C 636	NCB31CK-104X	C CAPACITOR				C2522	NFV41CJ-103X	M CAPACITOR		
	C 637	NCB31CK-104X	C CAPACITOR				C2523	NFV41HJ-272X	M CAPACITOR		
	C 638	NEA70JM-476X	E.CAPACITOR				C2524	NFV41HJ-272X	M CAPACITOR		
	C 639	NCB31CK-103X	C CAPACITOR				C2525	NFV41CJ-392X	M CAPACITOR		
	C 641	NEA70JM-107X	E.CAPACITOR				C2526	NFV41CJ-392X	M CAPACITOR		
	C 642	NCB31CK-103X	C CAPACITOR				C2527	NEA71CM-226X	E.CAPACITOR		
	C 643	NCB31AK-474X	C CAPACITOR				C2528	NEA71CM-226X	E.CAPACITOR		
	C 644	NCB31CK-103X	C CAPACITOR				C2529	NCF31CZ-104X	C CAPACITOR		
	C 645	NCS31HJ-101X	C.CAPACITOR				C2530	NCF31CZ-104X	C CAPACITOR		
	C 646	NCB31CK-103X	C CAPACITOR				C2531	NCS31HJ-560X	C CAPACITOR		
	C 647	NCS31HJ-220X	C CAPACITOR				C2532	NCS31HJ-560X	C CAPACITOR		
	C 648	NCS31HJ-180X	C CAPACITOR				C2533	NEA71CM-226X	E.CAPACITOR		
	C 649	NCS31HJ-121X	C CAPACITOR				C2534	NEA71CM-226X	E.CAPACITOR		
	C 653	NCB31CK-104X	C CAPACITOR				C2539	NCF31CZ-104X	C CAPACITOR		
	C 654	NEA70JM-107X	E.CAPACITOR				C2540	NCF31CZ-104X	C CAPACITOR		
	C 671	NCB31CK-103X	C CAPACITOR				C2541	NCS31HJ-560X	C CAPACITOR		
	C 672	NEA70JM-107X	E.CAPACITOR				C2542	NCS31HJ-560X	C CAPACITOR		
	C 673	NCB31CK-103X	C CAPACITOR				C2543	NEA71EM-475X	E.CAPACITOR.		
	C 675	NRSA63J-103X	MG RESISTOR				C2544	NEA71EM-475X	E.CAPACITOR.		
	C 677	NCB30JK-105X	C CAPACITOR				C2549	NCF31CZ-104X	C CAPACITOR		
	C 679	NCB31HK-101X	C CAPACITOR				C2550	NCF31CZ-104X	C CAPACITOR		
	C 680	NCB30JK-105X	C CAPACITOR				C2551	NCS31HJ-560X	C CAPACITOR		
	C 681	NCB31CK-103X	C CAPACITOR				C2552	NCS31HJ-560X	C CAPACITOR		
	C 682	NCB31CK-103X	C CAPACITOR				C2553	NCB31HK-562X	C CAPACITOR		
	C 683	NCB31CK-103X	C CAPACITOR				C2554	NCB31HK-562X	C CAPACITOR		
	C 684	NEA70JM-107X	E.CAPACITOR				C2555	NCF31CZ-104X	C CAPACITOR		
	C 685	NEA71CM-476X	E CAPACITOR				C2556	NCF31CZ-104X	C CAPACITOR		
	C 686	NEA71CM-476X	E CAPACITOR				C2559	NCF31CZ-104X	C CAPACITOR		
	C 687	NCB31CK-103X	C CAPACITOR				C2560	NCF31CZ-104X	C CAPACITOR		
	C 688	NEA70JM-107X	E.CAPACITOR				C2561	NEA71HM-105X	E.CAPACITOR		
	C 689	NCB31CK-103X	C CAPACITOR				C2562	NEA71HM-105X	E.CAPACITOR		
	C 690	NEA70JM-107X	E.CAPACITOR				C2563	NCS31HJ-220X	C CAPACITOR		
	C 691	NEA71CM-226X	E.CAPACITOR				C2564	NCS31HJ-220X	C CAPACITOR		
	C 692	NEA71CM-226X	E.CAPACITOR				C2569	NCF31CZ-104X	C CAPACITOR		
	C 693	NCB31CK-103X	C CAPACITOR				C2570	NCF31CZ-104X	C CAPACITOR		
	C 694	NCB31CK-103X	C CAPACITOR				C2571	NCB31CK-103X	C CAPACITOR		
	C 695	NEA71EM-475X	E.CAPACITOR.				C2572	NCB31CK-103X	C CAPACITOR		
	C 696	NEA71EM-475X	E.CAPACITOR.				C2573	NCB31HK-272X	C CAPACITOR		
	C 697	NEA71EM-475X	E.CAPACITOR.				C2574	NCB31HK-272X	C CAPACITOR		
	C 698	NEA71EM-475X	E.CAPACITOR.				C2575	NCB31HK-392X	C CAPACITOR		

## ■ Electrical parts list (DSP board)

Block No. 03

△	Item	Parts number	Parts name	Remarks	Area	△	Item	Parts number	Parts name	Remarks	Area
	C2576	NCB31HK-392X	C CAPACITOR				K 614	NQR0269-007X	FERRITE BEADS		
	C2577	NEA71EM-475X	E.CAPACITOR.				K 615	NQR0269-007X	FERRITE BEADS		
	C2578	NEA71EM-475X	E.CAPACITOR.				K 616	NQR0269-007X	FERRITE BEADS		
	C2579	NCF31CZ-104X	C CAPACITOR				K 617	NQR0269-007X	FERRITE BEADS		
	C2580	NCF31CZ-104X	C CAPACITOR				K 618	NQR0269-007X	FERRITE BEADS		
	C2581	NEA71HM-105X	E.CAPACITOR				K 619	NQR0269-007X	FERRITE BEADS		
	C2582	NEA71CM-106X	E.CAPACITOR				K 620	NQR0269-007X	FERRITE BEADS		
	C2583	NCS31HJ-220X	C CAPACITOR				K 621	NQR0269-007X	FERRITE BEADS		
	C2584	NCS31HJ-560X	C CAPACITOR				K 622	NQR0269-007X	FERRITE BEADS		
	C2589	NCF31CZ-104X	C CAPACITOR				K 687	NQR0319-001X	F.BEADS C.M		
	C2590	NCF31CZ-104X	C CAPACITOR				L 661	NQL024J-470X	INDUCTOR CM		
	C2591	NCB31CK-103X	C CAPACITOR				L 662	NQL024J-470X	INDUCTOR CM		
	C2592	NCB31HK-223X	C CAPACITOR				L 663	NQL024J-470X	INDUCTOR CM		
	C2593	NCB31HK-272X	C CAPACITOR				LC601	NQR0321-001X	EMI FILTER C.M		
	C2594	NCB31CK-104X	C CAPACITOR				LC632	NQR0321-001X	EMI FILTER C.M		
	C2595	NCB31HK-392X	C CAPACITOR				LC641	NQR0321-001X	EMI FILTER C.M		
	C2597	NEA71EM-475X	E.CAPACITOR.				LC671	NQR0321-001X	EMI FILTER C.M		
	C2598	NEA71EM-475X	E.CAPACITOR.				Q 601	DTC114YE-X	TRANSISTOR		
	C2599	NCF31CZ-104X	C CAPACITOR				Q 607	DTA144EKA-X	TRANSISTOR		
	C2600	NCF31CZ-104X	C CAPACITOR				Q 670	DTC114YE-X	TRANSISTOR		
	D 601	1SS355-X	DIODE				Q 672	DTC114YE-X	TRANSISTOR		
	D 602	1SS355-X	DIODE				Q 674	DTC114YE-X	TRANSISTOR		
	D 607	1SS355-X	DIODE				Q 675	DTC114YE-X	TRANSISTOR		
	D 608	1SS355-X	DIODE				Q2501	DTA144EKA-X	TRANSISTOR		
	IC501	BA15218F-XE	IC				Q2521	2SD1328/ST/-X	TRANSISTOR		
	IC510	BA15218F-XE	IC				Q2522	2SD1328/ST/-X	TRANSISTOR		
	IC511	BA15218F-XE	IC				Q2561	2SD1328/ST/-X	TRANSISTOR		
	IC521	BA15218F-XE	IC				Q2562	2SD1328/ST/-X	TRANSISTOR		
	IC531	BA15218F-XE	IC				Q2581	2SD1328/ST/-X	TRANSISTOR		
	IC541	BA15218F-XE	IC				Q2582	2SD1328/ST/-X	TRANSISTOR		
	IC551	BA15218F-XE	IC				R 601	NRSA63J-473X	MG RESISTOR		
	IC561	BA15218F-XE	IC				R 602	NRSA63J-473X	MG RESISTOR		
	IC571	BA15218F-XE	IC				R 603	NRSA63J-473X	MG RESISTOR		
	IC581	BA15218F-XE	IC				R 604	NRSA63J-473X	MG RESISTOR		
	IC591	BA15218F-XE	IC				R 605	NRSA63J-473X	MG RESISTOR		
	IC601	AK4527VQ	IC				R 606	NRSA63J-221X	MG RESISTOR		
	IC602	BU4066BCF-X	IC				R 607	NRSA63J-221X	MG RESISTOR		
	IC611	BU4066BCF-X	IC				R 608	NRSA63J-221X	MG RESISTOR		
	IC621	TC7SU04FU-X	IC				R 609	NRSA63J-221X	MG RESISTOR		
	IC622	TC7SU04FU-X	IC				R 610	NRSA63J-221X	MG RESISTOR		
	IC631	TC9446F-014	IC				R 611	NRSA63J-332X	MG RESISTOR		
	IC641	W24L011AJ-15-X	IC				R 612	NRSA63J-223X	MG RESISTOR		
	IC671	UPD784215AGC103	IC				R 613	NRSA63J-822X	MG RESISTOR		
	IC672	TC7SET32FU-X	IC				R 615	NRSA63J-432X	MG RESISTOR		
	IC681	PQ3DZ53-X	IC				R 617	NRSA63J-103X	MG RESISTOR		
	IC683	PQ3DZ53-X	IC				R 618	NRSA63J-103X	MG RESISTOR		
	J 601	QNN0347-001	PIN JACK				R 619	NRSA63J-221X	MG RESISTOR		
	K 501	NQR0269-007X	FERRITE BEADS				R 620	NRSA63J-221X	MG RESISTOR		
	K 502	NQR0269-007X	FERRITE BEADS				R 621	NRSA63J-221X	MG RESISTOR		
	K 503	NQR0269-007X	FERRITE BEADS				R 622	NRSA63J-750X	MG RESISTOR		
	K 504	NQR0269-007X	FERRITE BEADS				R 623	NRSA63J-101X	MG RESISTOR		
	K 531	NQR0269-007X	FERRITE BEADS				R 625	NRSA63J-101X	MG RESISTOR		
	K 532	NQR0269-007X	FERRITE BEADS				R 627	NRSA63J-472X	MG RESISTOR		
	K 541	NQR0269-007X	FERRITE BEADS				R 628	NRSA63J-183X	MG RESISTOR		
	K 542	NQR0269-007X	FERRITE BEADS				R 633	NRSA63J-221X	MG RESISTOR		
	K 561	NQR0269-007X	FERRITE BEADS				R 636	NRSA63J-0R0X	MG RESISTOR		
	K 562	NQR0269-007X	FERRITE BEADS				R 637	NRSA63J-0R0X	MG RESISTOR		
	K 581	NQR0269-007X	FERRITE BEADS				R 639	NRSA63J-472X	MG RESISTOR		
	K 582	NQR0269-007X	FERRITE BEADS				R 641	NRSA63J-102X	MG RESISTOR		
	K 601	NQR0269-007X	FERRITE BEADS				R 642	NRSA63J-103X	MG RESISTOR		
	K 611	NQR0269-007X	FERRITE BEADS				R 643	NRSA63J-101X	MG RESISTOR		
	K 612	NQR0269-007X	FERRITE BEADS				R 644	NRSA63J-563X	MG RESISTOR		
	K 613	NQR0269-007X	FERRITE BEADS				R 645	NRSA63J-102X	MG RESISTOR		

## ■ Electrical parts list (DSP board)

Block No. 03

△	Item	Parts number	Parts name	Remarks	Area
	R 646	NRSA63J-103X	MG RESISTOR		
	R 647	NRSA63J-225X	MG RESISTOR		
	R 648	NRSA63J-472X	MG RESISTOR		
	R 649	NRSA63J-1R0X	MG RESISTOR		
	R 650	NRSA63J-1R0X	MG RESISTOR		
	R 657	NRSA63J-103X	MG RESISTOR		
	R 661	NRSA63J-221X	MG RESISTOR		
	R 662	NRSA63J-221X	MG RESISTOR		
	R 663	NRSA63J-221X	MG RESISTOR		
	R 664	NRSA63J-221X	MG RESISTOR		
	R 669	NRSA63J-103X	MG RESISTOR		
	R 670	NRSA63J-103X	MG RESISTOR		
	R 673	NRSA63J-563X	MG RESISTOR		
	R 674	NRSA63J-432X	MG RESISTOR		
	R 675	NRSA63J-432X	MG RESISTOR		
	R 676	NRSA63J-432X	MG RESISTOR		
	R 677	NRSA63J-104X	MG RESISTOR		
	R 678	NRSA63J-822X	MG RESISTOR		
	R 679	NRSA63J-822X	MG RESISTOR		
	R 680	NRSA63J-822X	MG RESISTOR		
	R 681	NRSA63J-103X	MG RESISTOR		
	R 682	NRSA63J-103X	MG RESISTOR		
	R 683	NRSA63J-0R0X	MG RESISTOR		
	R 685	NRSA63J-103X	MG RESISTOR		
	R 687	NRSA63J-102X	MG RESISTOR		
	R 691	NRSA63J-104X	MG RESISTOR		
	R 692	NRSA63J-104X	MG RESISTOR		
	R 695	NRSA63J-104X	MG RESISTOR		
	R 696	NRSA63J-104X	MG RESISTOR		
	R 697	NRSA63J-104X	MG RESISTOR		
	R 698	NRSA63J-104X	MG RESISTOR		
	R2500	NRSA63J-222X	MG RESISTOR		
	R2501	NRSA63J-104X	MG RESISTOR		
	R2502	NRSA63J-104X	MG RESISTOR		
	R2503	NRSA63J-183X	MG RESISTOR		
	R2504	NRSA63J-183X	MG RESISTOR		
	R2505	NRSA63J-103X	MG RESISTOR		
	R2506	NRSA63J-103X	MG RESISTOR		
	R2507	NRSA63J-103X	MG RESISTOR		
	R2508	NRSA63J-103X	MG RESISTOR		
	R2509	NRSA63J-103X	MG RESISTOR		
	R2510	NRSA63J-103X	MG RESISTOR		
	R2511	NRSA63J-102X	MG RESISTOR		
	R2512	NRSA63J-102X	MG RESISTOR		
	R2513	NRSA63J-102X	MG RESISTOR		
	R2514	NRSA63J-102X	MG RESISTOR		
	R2515	NRSA63J-102X	MG RESISTOR		
	R2516	NRSA63J-102X	MG RESISTOR		
	R2517	NRSA63J-102X	MG RESISTOR		
	R2518	NRSA63J-102X	MG RESISTOR		
	R2519	NRSA63J-102X	MG RESISTOR		
	R2520	NRSA63J-102X	MG RESISTOR		
	R2521	NRSA63J-102X	MG RESISTOR		
	R2522	NRSA63J-102X	MG RESISTOR		
	R2523	NRSA63J-102X	MG RESISTOR		
	R2524	NRSA63J-102X	MG RESISTOR		
	R2525	NRSA63J-102X	MG RESISTOR		
	R2526	NRSA63J-102X	MG RESISTOR		
	R2527	NRSA63J-104X	MG RESISTOR		
	R2528	NRSA63J-104X	MG RESISTOR		
	R2529	NRSA63J-103X	MG RESISTOR		
	R2530	NRSA63J-103X	MG RESISTOR		
	R2531	NRSA63J-113X	MG RESISTOR		

△	Item	Parts number	Parts name	Remarks	Area
	R2532	NRSA63J-113X	MG RESISTOR		
	R2533	NRSA63J-103X	MG RESISTOR		
	R2534	NRSA63J-103X	MG RESISTOR		
	R2535	NRSA63J-103X	MG RESISTOR		
	R2536	NRSA63J-103X	MG RESISTOR		
	R2537	NRSA63J-104X	MG RESISTOR		
	R2538	NRSA63J-104X	MG RESISTOR		
	R2541	NRSA63J-113X	MG RESISTOR		
	R2542	NRSA63J-113X	MG RESISTOR		
	R2543	NRSA63J-103X	MG RESISTOR		
	R2544	NRSA63J-103X	MG RESISTOR		
	R2545	NRSA63J-562X	MG RESISTOR		
	R2546	NRSA63J-562X	MG RESISTOR		
	R2547	NRSA63J-104X	MG RESISTOR		
	R2548	NRSA63J-104X	MG RESISTOR		
	R2551	NRSA63J-103X	MG RESISTOR		
	R2552	NRSA63J-103X	MG RESISTOR		
	R2553	NRSA63J-333X	MG RESISTOR		
	R2554	NRSA63J-333X	MG RESISTOR		
	R2560	NRSA63J-105X	MG RESISTOR		
	R2561	NRSA63J-104X	MG RESISTOR		
	R2562	NRSA63J-104X	MG RESISTOR		
	R2563	NRSA63J-103X	MG RESISTOR		
	R2564	NRSA63J-103X	MG RESISTOR		
	R2565	NRSA63J-122X	MG RESISTOR		
	R2566	NRSA63J-122X	MG RESISTOR		
	R2567	NRSA63J-103X	MG RESISTOR		
	R2568	NRSA63J-103X	MG RESISTOR		
	R2571	NRSA63J-102X	MG RESISTOR		
	R2572	NRSA63J-102X	MG RESISTOR		
	R2573	NRSA63J-102X	MG RESISTOR		
	R2574	NRSA63J-102X	MG RESISTOR		
	R2575	NRSA63J-102X	MG RESISTOR		
	R2576	NRSA63J-102X	MG RESISTOR		
	R2577	NRSA63J-104X	MG RESISTOR		
	R2578	NRSA63J-104X	MG RESISTOR		
	R2581	NRSA63J-104X	MG RESISTOR		
	R2582	NRSA63J-104X	MG RESISTOR		
	R2583	NRSA63J-103X	MG RESISTOR		
	R2584	NRSA63J-124X	MG RESISTOR		
	R2585	NRSA63J-122X	MG RESISTOR		
	R2586	NRSA63J-392X	MG RESISTOR		
	R2587	NRSA63J-103X	MG RESISTOR		
	R2588	NRSA63J-103X	MG RESISTOR		
	R2590	NRSA63J-333X	MG RESISTOR		
	R2591	NRSA63J-102X	MG RESISTOR		
	R2592	NRSA63J-333X	MG RESISTOR		
	R2593	NRSA63J-102X	MG RESISTOR		
	R2594	NRSA63J-333X	MG RESISTOR		
	R2595	NRSA63J-102X	MG RESISTOR		
	R2596	NRSA63J-102X	MG RESISTOR		
	R2597	NRSA63J-104X	MG RESISTOR		
	R2598	NRSA63J-104X	MG RESISTOR		
	UN661	GP1FA550RZ	OPT RECEIVER		
	UN662	GP1FA550RZ	OPT RECEIVER		
	UN663	GP1FA550TZ	OPT TRANSMITTER		
	X 631	NAX0385-001X	CRYSTAL	22.5792MHZ	
	X 671	NAX0275-001X	C OSCILLATOR	6.14MHZ	



**■ Electrical parts list (DVD mecha board)      Block No. 04**

△	Item	Parts number	Parts name	Remarks	Area
	C 17	NCS31HJ-101X	C.CAPACITOR		
	C 18	NCS31HJ-101X	C.CAPACITOR		
	C 19	NCS31HJ-101X	C.CAPACITOR		
	CN 11	QGF1016F2-37W	CONNECTOR	TO MAIN	
	CN 12	QGF1016C2-21W	CONNECTOR	TO MECHA	
	CN 13	QGF1016F2-17W	CONNECTOR	TO MECHA	
	K 11	NQR0265-003X	FERRITE BEADS		
	K 12	NQR0265-003X	FERRITE BEADS		
	K 13	NQR0265-003X	FERRITE BEADS		
	K 14	NQR0265-003X	FERRITE BEADS		
	K 15	NQR0265-003X	FERRITE BEADS		
	K 16	NQR0265-002X	FERRITE BEADS		
	K 21	NQR0265-003X	FERRITE BEADS		
	K 22	NQR0265-003X	FERRITE BEADS		
	R 21	NRSA63J-0R0X	MG RESISTOR		
	R 23	NRSA63J-0R0X	MG RESISTOR		
	R 24	NRSA63J-0R0X	MG RESISTOR		
	R 25	NRSA63J-0R0X	MG RESISTOR		
	R 26	NRSA63J-0R0X	MG RESISTOR		
	R 28	NRSA63J-0R0X	MG RESISTOR		
	R 30	NRSA63J-0R0X	MG RESISTOR		
	R 31	NRSA63J-0R0X	MG RESISTOR		

## ■ Electrical parts list (DVD board)

Block No. 05

△	Item	Parts number	Parts name	Remarks	Area	△	Item	Parts number	Parts name	Remarks	Area
	C 1	QCS31HJ-331Z	C CAPACITOR	330PF 5% 50V			C 209	NCB31CK-104X	C CAPACITOR		
	C 5	NCB21CK-104X	C.CAPACITOR				C 210	NCB31CK-104X	C CAPACITOR		
	C 6	NCB21CK-104X	C.CAPACITOR				C 211	NCB31CK-104X	C CAPACITOR		
	C 7	NCS21HJ-151X	C CAPACITOR				C 212	NCB31CK-104X	C CAPACITOR		
	C 8	NCB21CK-104X	C.CAPACITOR				C 213	NCB31CK-104X	C CAPACITOR		
	C 101	NCB31CK-104X	C CAPACITOR				C 214	NCB31CK-104X	C CAPACITOR		
	C 102	NEA70JM-476X	E.CAPACITOR				C 215	NCB31HK-392X	C CAPACITOR		
	C 103	NCB31CK-104X	C CAPACITOR				C 217	NCB31HK-821X	C CAPACITOR		
	C 104	NCS31HJ-560X	C CAPACITOR				C 218	NCB31HK-331X	C CAPACITOR		
	C 105	NCS31HJ-101X	C.CAPACITOR				C 219	NCB31HK-471X	C CAPACITOR		
	C 106	NEA71CM-106X	E.CAPACITOR				C 221	NCB31HK-271X	C CAPACITOR		
	C 107	NCB31CK-104X	C CAPACITOR				C 222	NCB31HK-821X	C CAPACITOR		
	C 108	NCB31CK-104X	C CAPACITOR				C 223	NCB31HK-821X	C CAPACITOR		
	C 109	NCB31CK-104X	C CAPACITOR				C 224	NEA70JM-226X	E CAPACITOR		
	C 110	NCS31HJ-101X	C.CAPACITOR				C 225	NCB11CK-105X	C CAPACITOR		
	C 111	NCB21CK-184X	C CAPACITOR				C 226	NCB31CK-104X	C CAPACITOR		
	C 112	NCB31CK-104X	C CAPACITOR				C 227	NCB31CK-104X	C CAPACITOR		
	C 113	NCB31CK-104X	C CAPACITOR				C 228	NEA70JM-107X	E.CAPACITOR		
	C 114	NCB31CK-104X	C CAPACITOR				C 229	NCB11CK-105X	C CAPACITOR		
	C 115	NCB31HK-392X	C CAPACITOR				C 230	NCB31CK-104X	C CAPACITOR		
	C 116	NCB31CK-104X	C CAPACITOR				C 231	NCB31CK-104X	C CAPACITOR		
	C 117	NCB11CK-105X	C CAPACITOR				C 232	NCB31CK-104X	C CAPACITOR		
	C 118	NEX40JM-336X	E CAPACITOR				C 233	NCS31HJ-330X	C CAPACITOR		
	C 119	NCB31CK-104X	C CAPACITOR				C 234	NCB31HK-331X	C CAPACITOR		
	C 120	NCB31CK-104X	C CAPACITOR				C 235	NCB31CK-104X	C CAPACITOR		
	C 121	NCB21CK-334X	C CAPACITOR				C 236	NCB31CK-823X	C CAPACITOR		
	C 122	NCS31HJ-121X	C CAPACITOR				C 237	NCB31CK-823X	C CAPACITOR		
	C 123	NCB31CK-104X	C CAPACITOR				C 241	NCB31CK-104X	C CAPACITOR		
	C 124	NCB31CK-104X	C CAPACITOR				C 242	NEA70JM-107X	E.CAPACITOR		
	C 125	NCB31CK-104X	C CAPACITOR				C 251	NCB31CK-104X	C CAPACITOR		
	C 126	NCS31HJ-221X	C CAPACITOR				C 252	NCB31CK-104X	C CAPACITOR		
	C 127	NCS31HJ-221X	C CAPACITOR				C 253	NCB31CK-104X	C CAPACITOR		
	C 128	NCB31CK-104X	C CAPACITOR				C 254	NCB31CK-104X	C CAPACITOR		
	C 129	NCB21CK-224X	C CAPACITOR				C 255	NEA70JM-226X	E CAPACITOR		
	C 130	NCB31HK-102X	C CAPACITOR				C 256	NCB31CK-104X	C CAPACITOR		
	C 131	NCB31HK-681X	C CAPACITOR				C 257	NCB31CK-104X	C CAPACITOR		
	C 132	NCB31CK-104X	C CAPACITOR				C 258	NEA71CM-226X	E.CAPACITOR		
	C 133	NEX40JM-566X	E CAPACITOR				C 259	NCB31CK-104X	C CAPACITOR		
	C 134	NCB11CK-105X	C CAPACITOR				C 261	NCB31CK-104X	C CAPACITOR		
	C 135	NCS31HJ-221X	C CAPACITOR				C 262	NCB31CK-104X	C CAPACITOR		
	C 136	NCB31CK-104X	C CAPACITOR				C 263	NCB31CK-104X	C CAPACITOR		
	C 137	NCB31CK-104X	C CAPACITOR				C 264	NCB31CK-104X	C CAPACITOR		
	C 138	NCB31CK-104X	C CAPACITOR				C 271	NCB31CK-104X	C CAPACITOR		
	C 139	NCB31CK-104X	C CAPACITOR				C 273	NCB31HK-102X	C CAPACITOR		
	C 140	NCB31CK-104X	C CAPACITOR				C 275	NCB31HK-102X	C CAPACITOR		
	C 141	NCS31HJ-820X	C CAPACITOR				C 276	NCB31CK-104X	C CAPACITOR		
	C 142	NCB31HK-222X	C CAPACITOR				C 281	NEA70JM-226X	E CAPACITOR		
	C 143	NCB21CK-224X	C CAPACITOR				C 282	NCB31CK-104X	C CAPACITOR		
	C 144	NCB31CK-104X	C CAPACITOR				C 284	NCB31HK-102X	C CAPACITOR		
	C 145	NCB11CK-105X	C CAPACITOR				C 286	NCB31HK-102X	C CAPACITOR		
	C 151	NEX40JM-156X	E.CAPACITOR				C 287	NCB31CK-104X	C CAPACITOR		
	C 152	NEX40JM-156X	E.CAPACITOR				C 288	NEA71CM-226X	E.CAPACITOR		
	C 153	NCB31CK-104X	C CAPACITOR				C 291	NCB31CK-104X	C CAPACITOR		
	C 154	NCB31CK-104X	C CAPACITOR				C 292	NEA71CM-476X	E CAPACITOR		
	C 191	NCB31CK-104X	C CAPACITOR				C 301	NCB31CK-104X	C CAPACITOR		
	C 192	NEA70JM-107X	E.CAPACITOR				C 302	NCB31CK-104X	C CAPACITOR		
	C 201	NCB31CK-104X	C CAPACITOR				C 303	NCB31CK-104X	C CAPACITOR		
	C 202	NCB31CK-393X	C CAPACITOR				C 304	NCB31CK-104X	C CAPACITOR		
	C 203	NCB31CK-393X	C CAPACITOR				C 305	NCB31CK-104X	C CAPACITOR		
	C 204	NCB31CK-393X	C CAPACITOR				C 306	NCB31CK-104X	C CAPACITOR		
	C 205	NCB31CK-393X	C CAPACITOR				C 307	NCB31CK-104X	C CAPACITOR		
	C 206	NCB31CK-104X	C CAPACITOR				C 308	NCB31CK-103X	C CAPACITOR		
	C 208	NCB31CK-104X	C CAPACITOR				C 309	NCB31CK-104X	C CAPACITOR		

## ■ Electrical parts list (DVD board)

Block No. 05

△	Item	Parts number	Parts name	Remarks	Area	△	Item	Parts number	Parts name	Remarks	Area
	C 310	NCB31CK-104X	C CAPACITOR				C 526	NCB31CK-104X	C CAPACITOR		
	C 311	NCB31CK-104X	C CAPACITOR				C 527	NCB31CK-104X	C CAPACITOR		
	C 314	NCB31CK-104X	C CAPACITOR				C 528	NCB31CK-104X	C CAPACITOR		
	C 315	NCB31CK-104X	C CAPACITOR				C 529	NCB31CK-104X	C CAPACITOR		
	C 316	NEA70JM-107X	E.CAPACITOR				C 530	NEA70JM-107X	E.CAPACITOR		
	C 317	NCB11CK-105X	C CAPACITOR				C 531	NCB31CK-104X	C CAPACITOR		
	C 318	NCB31CK-104X	C CAPACITOR				C 532	NCB31CK-104X	C CAPACITOR		
	C 319	NCB31CK-104X	C CAPACITOR				C 533	NCB31CK-104X	C CAPACITOR		
	C 320	NCB31CK-104X	C CAPACITOR				C 534	NEA70JM-107X	E.CAPACITOR		
	C 321	NCB31CK-104X	C CAPACITOR				C 535	NCB31CK-104X	C CAPACITOR		
	C 322	NEA70JM-107X	E.CAPACITOR				C 536	NCB31CK-103X	C CAPACITOR		
	C 323	NCB11CK-105X	C CAPACITOR				C 537	NEA70JM-226X	E CAPACITOR		
	C 324	NCB31CK-104X	C CAPACITOR				C 538	NCB31CK-104X	C CAPACITOR		
	C 341	NCB31CK-104X	C CAPACITOR				C 539	NCB31CK-104X	C CAPACITOR		
	C 342	NCB31CK-104X	C CAPACITOR				C 540	NEA70JM-226X	E CAPACITOR		
	C 343	NCB31CK-104X	C CAPACITOR				C 541	NCB31CK-104X	C CAPACITOR		
	C 344	NCB31CK-104X	C CAPACITOR				C 542	NEA70JM-226X	E CAPACITOR		
	C 371	NCS31HJ-100X	C CAPACITOR				C 543	NCB31CK-104X	C CAPACITOR		
	C 372	NCS31HJ-100X	C CAPACITOR				C 551	NCB31CK-104X	C CAPACITOR		
	C 373	NCB31CK-104X	C CAPACITOR				C 552	NCB31CK-104X	C CAPACITOR		
	C 374	NCB31CK-104X	C CAPACITOR				C 553	NCB31CK-104X	C CAPACITOR		
	C 376	NCB31CK-104X	C CAPACITOR				C 554	NCB31CK-104X	C CAPACITOR		
	C 391	NCB31CK-104X	C CAPACITOR				C 555	NEA70JM-226X	E CAPACITOR		
	C 392	NEA70JM-226X	E CAPACITOR				C 556	NCB31CK-104X	C CAPACITOR		
	C 401	NCB31CK-104X	C CAPACITOR				C 557	NCB31CK-104X	C CAPACITOR		
	C 402	NCB31CK-104X	C CAPACITOR				C 558	NEA70JM-226X	E CAPACITOR		
	C 405	NCB31CK-104X	C CAPACITOR				C 559	NCB31CK-104X	C CAPACITOR		
	C 406	NCB31CK-104X	C CAPACITOR				C 561	NCB31CK-104X	C CAPACITOR		
	C 407	NCB31CK-104X	C CAPACITOR				C 562	NEA70JM-226X	E CAPACITOR		
	C 408	NEA70JM-226X	E CAPACITOR				C 563	NCB31CK-104X	C CAPACITOR		
	C 409	NCB31CK-104X	C CAPACITOR				C 564	NCB31CK-104X	C CAPACITOR		
	C 411	NCB31CK-104X	C CAPACITOR				C 565	NCB31CK-104X	C CAPACITOR		
	C 412	NCB31CK-104X	C CAPACITOR				C 566	NCB31CK-104X	C CAPACITOR		
	C 441	NCB31CK-104X	C CAPACITOR				C 567	NEA70JM-226X	E CAPACITOR		
	C 442	NEX40JM-156X	E.CAPACITOR				C 568	NCB31CK-104X	C CAPACITOR		
	C 452	NCB31CK-104X	C CAPACITOR				C 569	NEA70JM-226X	E CAPACITOR		
	C 491	NCB31CK-104X	C CAPACITOR				C 571	NCB31CK-104X	C CAPACITOR		
	C 492	NEA70JM-226X	E CAPACITOR				C 572	NEX40JM-156X	E.CAPACITOR		
	C 501	NCB31CK-104X	C CAPACITOR				CN101	QGF1016C2-37W	CONNECTOR	MECHA LOADING	
	C 502	NCB31CK-104X	C CAPACITOR				CN103	QGF1016C2-07W	CONNECTOR		
	C 503	NCB31CK-104X	C CAPACITOR				CN104	QGA2001C2-12X	W TO B CONNE		
	C 504	NCB31CK-104X	C CAPACITOR				CN501	QGA2001C2-08X	W TO B CONNE	POWER SYSTEM	
	C 505	NCB31CK-104X	C CAPACITOR				CN502	QGF1016C2-35W	CONNECTOR		
	C 506	NCB31CK-104X	C CAPACITOR				CN503	QGA2001C2-10X	W TO B CONNE	VIDEO	
	C 507	NCB31CK-104X	C CAPACITOR				D 201	1SS355-X	DIODE		
	C 508	NCB31CK-104X	C CAPACITOR				D 202	1SS355-X	DIODE		
	C 509	NCB31CK-104X	C CAPACITOR				D 203	1SS355-X	DIODE		
	C 510	NCB31CK-104X	C CAPACITOR				D 272	DAP202K-X	D.TRANSISTOR		
	C 511	NCB31CK-104X	C CAPACITOR				D 402	1SS355-X	DIODE		
	C 512	NCB31CK-104X	C CAPACITOR				D 403	1SS355-X	DIODE		
	C 513	NCB31CK-104X	C CAPACITOR				D 551	1SS355-X	DIODE		
	C 514	NCB31CK-104X	C CAPACITOR				D 552	1SS355-X	DIODE		
	C 515	NCB31CK-104X	C CAPACITOR				IC101	AN8706FHQ	IC		
	C 516	NCB31CK-104X	C CAPACITOR				IC102	RN5RZ20BA-X	IC		
	C 517	NCB31CK-104X	C CAPACITOR				IC201	MN67705EA	IC		
	C 518	NCB31CK-104X	C CAPACITOR				IC251	AN8485SB-W	IC		
	C 519	NCB31CK-104X	C CAPACITOR				IC271	BA5983FM-X	IC		
	C 520	NCB31CK-104X	C CAPACITOR				IC301	MN103007BGA	IC		
	C 521	NCB31CK-104X	C CAPACITOR				IC311	TC7SH08FU-X	IC		
	C 522	NCB31CK-104X	C CAPACITOR				IC312	TC7SH32FU-X	IC		
	C 523	NCB31CK-104X	C CAPACITOR				IC321	TC7WH74FU-X	IC		
	C 524	NCB31CK-104X	C CAPACITOR				IC322	TC74VHC00FT-X	IC		
	C 525	NCB31CK-104X	C CAPACITOR				IC371	TC7SHU04FU-X	IC(DIGITAL)		

■ Electrical parts list (DVD board)

Block No. 05

△	Item	Parts number	Parts name	Remarks	Area	△	Item	Parts number	Parts name	Remarks	Area
	IC372	TC7SHU04FU-X	IC(DIGITAL)				K 575	NQR0007-002X	FERRITE BEADS		
	IC374	TC7WH74FU-X	IC				K 576	NQR0007-002X	FERRITE BEADS		
	IC401	MN102L25GHJ	IC C.M.				K 577	NQR0007-002X	FERRITE BEADS		
	IC402	MSM531622F78G-X	IC				K 578	NQR0007-002X	FERRITE BEADS		
	IC403	AK93C65AF-X	IC				K 579	NQR0007-002X	FERRITE BEADS		
	IC452	TC7WT125FU-X	IC(DIGITAL)				K 581	NQR0007-002X	FERRITE BEADS		
	IC501	ZIVA-3-PD0	IC				K 582	NQR0007-002X	FERRITE BEADS		
	IC502	NAX0265-001X	IC	27MHZ			K 583	NQR0007-002X	FERRITE BEADS		
	IC503	TC74VHC00FT-X	IC				K 584	NQR0007-002X	FERRITE BEADS		
	IC504	HY57V161610DTC8	IC	HYUNDAI			K 585	NQR0007-002X	FERRITE BEADS		
	IC505	HY57V161610DTC8	IC	HYUNDAI			K 586	NQR0007-002X	FERRITE BEADS		
	IC551	JCE8011	IC(DIGITAL)				K 587	NQR0007-002X	FERRITE BEADS		
	IC552	MN4777AS-XE	IC C.M				K 589	NQR0007-002X	FERRITE BEADS		
	IC553	MSM531622F82G-X	IC				K 590	NQR0007-002X	FERRITE BEADS		
	IC554	MC44724AVFU	IC				K 591	NQR0007-002X	FERRITE BEADS		
	IC555	MC33269D-X	IC C.M				K 592	NQR0007-002X	FERRITE BEADS		
	K 101	NQR0007-002X	FERRITE BEADS				L 191	NQL044K-100X	INDUCTOR		
	K 102	NQR0007-002X	FERRITE BEADS				L 241	NQL044K-100X	INDUCTOR		
	K 103	NQR0007-002X	FERRITE BEADS				Q 101	2SB1424/QR/-X	TRANSISTOR		
	K 155	NQR0007-002X	FERRITE BEADS				Q 102	DTC124EE-X	DIGI TRANSISTOR		
	K 156	NQR0007-002X	FERRITE BEADS				Q 103	DTA124EE-X	DIGI TRANSISTOR		
	K 157	NQR0007-002X	FERRITE BEADS				Q 104	DTC124EE-X	DIGI TRANSISTOR		
	K 158	NQR0007-002X	FERRITE BEADS				Q 105	DTC144EE-X	TRANSISTOR		
	K 159	NQR0007-002X	FERRITE BEADS				Q 251	DTC144EE-X	TRANSISTOR		
	K 160	NQR0007-002X	FERRITE BEADS				Q 252	DTC144EE-X	TRANSISTOR		
	K 201	NQR0007-002X	FERRITE BEADS				Q 253	DTC144EE-X	TRANSISTOR		
	K 202	NQR0007-002X	FERRITE BEADS				Q 254	DTC144EE-X	TRANSISTOR		
	K 251	NQR0007-002X	FERRITE BEADS				Q 255	DTC144EE-X	TRANSISTOR		
	K 271	NQR0007-002X	FERRITE BEADS				R 101	NRS125J-270X	MG RESISTOR		
	K 301	NQR0007-002X	FERRITE BEADS				R 102	NRS125J-2R2X	MG RESISTOR		
	K 302	NQR0007-002X	FERRITE BEADS				R 103	NRSA63J-123X	MG RESISTOR		
	K 371	NQR0007-002X	FERRITE BEADS				R 104	NRSA63J-103X	MG RESISTOR		
	K 401	NQR0007-002X	FERRITE BEADS				R 106	NRSA63J-223X	MG RESISTOR		
	K 402	NQR0007-002X	FERRITE BEADS				R 108	NRSA63J-103X	MG RESISTOR		
	K 501	NQR0007-002X	FERRITE BEADS				R 109	NRSA63J-823X	MG RESISTOR		
	K 502	NQR0007-002X	FERRITE BEADS				R 110	NRSA63J-393X	MG RESISTOR		
	K 503	NQR0007-002X	FERRITE BEADS				R 112	NRVA63D-123X	MG RESISTOR		
	K 504	NQR0201-001X	FERRITE BEADS				R 113	NRSA63J-393X	MG RESISTOR		
	K 505	NQR0269-001X	FERRITE BEADS				R 114	NRSA63J-272X	MG RESISTOR		
	K 550	NQR0007-002X	FERRITE BEADS				R 115	NRSA63J-223X	MG RESISTOR		
	K 551	NQR0007-002X	FERRITE BEADS				R 116	NRSA63J-103X	MG RESISTOR		
	K 552	NQR0007-002X	FERRITE BEADS				R 117	NRSA63J-223X	MG RESISTOR		
	K 553	NQR0007-002X	FERRITE BEADS				R 118	NRSA63J-153X	MG RESISTOR		
	K 554	NQR0007-002X	FERRITE BEADS				R 119	NRSA63J-155X	MG RESISTOR		
	K 555	NQR0007-002X	FERRITE BEADS				R 120	NRVA63D-332X	MF RESISTOR		
	K 556	NQR0007-002X	FERRITE BEADS				R 121	NRSA63J-474X	MG RESISTOR		
	K 557	NQR0007-002X	FERRITE BEADS				R 122	NRSA63J-474X	MG RESISTOR		
	K 558	NQR0007-002X	FERRITE BEADS				R 123	NRSA63J-822X	MG RESISTOR		
	K 559	NQR0007-002X	FERRITE BEADS				R 124	NRSA63J-183X	MG RESISTOR		
	K 561	NQR0007-002X	FERRITE BEADS				R 125	NRSA63J-154X	MG RESISTOR		
	K 562	NQR0007-002X	FERRITE BEADS				R 126	NRSA63J-564X	MG RESISTOR		
	K 563	NQR0007-002X	FERRITE BEADS				R 127	NRSA63J-123X	MG RESISTOR		
	K 564	NQR0007-002X	FERRITE BEADS				R 128	NRSA63J-223X	MG RESISTOR		
	K 565	NQR0007-002X	FERRITE BEADS				R 129	NRSA63J-103X	MG RESISTOR		
	K 566	NQR0007-002X	FERRITE BEADS				R 130	NRSA63J-822X	MG RESISTOR		
	K 567	NQR0007-002X	FERRITE BEADS				R 131	NRSA63J-0R0X	MG RESISTOR		
	K 568	NQR0007-002X	FERRITE BEADS				R 151	NRSA63J-0R0X	MG RESISTOR		
	K 569	NQR0007-002X	FERRITE BEADS				R 152	NRSA63J-0R0X	MG RESISTOR		
	K 570	NQR0007-002X	FERRITE BEADS				R 153	NRSA63J-0R0X	MG RESISTOR		
	K 571	NQR0007-002X	FERRITE BEADS				R 154	NRSA63J-0R0X	MG RESISTOR		
	K 572	NQR0007-002X	FERRITE BEADS				R 201	NRSA63J-102X	MG RESISTOR		
	K 573	NQR0007-002X	FERRITE BEADS				R 202	NRSA63J-102X	MG RESISTOR		
	K 574	NQR0007-002X	FERRITE BEADS				R 203	NRSA63J-102X	MG RESISTOR		

## ■ Electrical parts list (DVD board)

Block No. 05

△	Item	Parts number	Parts name	Remarks	Area	△	Item	Parts number	Parts name	Remarks	Area
	R 204	NRSA63J-102X	MG RESISTOR				R 272	NRSA63J-103X	MG RESISTOR		
	R 205	NRSA63J-473X	MG RESISTOR				R 273	NRSA63J-103X	MG RESISTOR		
	R 206	NRSA63J-102X	MG RESISTOR				R 274	NRSA63J-0R0X	MG RESISTOR		
	R 207	NRSA63J-473X	MG RESISTOR				R 275	NRSA63J-243X	MG RESISTOR		
	R 208	NRSA63J-102X	MG RESISTOR				R 276	NRSA63J-103X	MG RESISTOR		
	R 209	NRSA63J-473X	MG RESISTOR				R 277	NRSA63J-103X	MG RESISTOR		
	R 210	NRSA63J-473X	MG RESISTOR				R 278	NRSA63J-0R0X	MG RESISTOR		
	R 211	NRSA63J-102X	MG RESISTOR				R 279	NRSA63J-473X	MG RESISTOR		
	R 212	NRSA63J-102X	MG RESISTOR				R 280	NRSA63J-0R0X	MG RESISTOR		
	R 213	NRSA63J-183X	MG RESISTOR				R 282	NRSA63J-273X	MG RESISTOR		
	R 214	NRSA63J-822X	MG RESISTOR				R 283	NRSA63J-103X	MG RESISTOR		
	R 215	NRSA63J-473X	MG RESISTOR				R 284	NRSA63J-103X	MG RESISTOR		
	R 216	NRSA63J-473X	MG RESISTOR				R 285	NRSA63J-0R0X	MG RESISTOR		
	R 217	NRSA63J-0R0X	MG RESISTOR				R 286	NRSA63J-273X	MG RESISTOR		
	R 218	NRSA63J-0R0X	MG RESISTOR				R 287	NRSA63J-103X	MG RESISTOR		
	R 219	NRSA63J-0R0X	MG RESISTOR				R 288	NRSA63J-103X	MG RESISTOR		
	R 220	NRSA63J-472X	MG RESISTOR				R 289	NRSA63J-0R0X	MG RESISTOR		
	R 221	NRSA63J-0R0X	MG RESISTOR				R 290	NRSA63J-0R0X	MG RESISTOR		
	R 222	NRSA63J-0R0X	MG RESISTOR				R 301	NRSA63J-473X	MG RESISTOR		
	R 223	NRSA63J-0R0X	MG RESISTOR				R 302	NRSA63J-473X	MG RESISTOR		
	R 224	NRSA63J-0R0X	MG RESISTOR				R 303	NRSA63J-473X	MG RESISTOR		
	R 225	NRSA63J-0R0X	MG RESISTOR				R 304	NRSA63J-473X	MG RESISTOR		
	R 226	NRSA63J-0R0X	MG RESISTOR				R 305	NRSA63J-473X	MG RESISTOR		
	R 227	NRSA63J-0R0X	MG RESISTOR				R 306	NRSA63J-473X	MG RESISTOR		
	R 228	NRSA63J-103X	MG RESISTOR				R 307	NRSA63J-473X	MG RESISTOR		
	R 229	NRSA63J-0R0X	MG RESISTOR				R 308	NRSA63J-473X	MG RESISTOR		
	R 230	NRSA63J-103X	MG RESISTOR				R 310	NRSA63J-102X	MG RESISTOR		
	R 231	NRVA63D-683X	MF RESISTOR				R 311	NRSA63J-102X	MG RESISTOR		
	R 232	NRVA63D-683X	MF RESISTOR				R 312	NRSA63J-102X	MG RESISTOR		
	R 233	NRSA63J-103X	MG RESISTOR				R 313	NRSA63J-0R0X	MG RESISTOR		
	R 234	NRSA63J-103X	MG RESISTOR				R 314	NRSA63J-0R0X	MG RESISTOR		
	R 235	NRSA63J-473X	MG RESISTOR				R 317	NRSA63J-473X	MG RESISTOR		
	R 236	NRSA63J-123X	MG RESISTOR				R 318	NRSA63J-0R0X	MG RESISTOR		
	R 237	NRSA63J-0R0X	MG RESISTOR				R 319	NRSA63J-0R0X	MG RESISTOR		
	R 238	NRSA63J-223X	MG RESISTOR				R 322	NRSA63J-473X	MG RESISTOR		
	R 239	NRSA63J-333X	MG RESISTOR				R 324	NRSA63J-473X	MG RESISTOR		
	R 240	NRSA63J-333X	MG RESISTOR				R 328	NRSA63J-473X	MG RESISTOR		
	R 241	NRVA63D-362X	MG RESISTOR				R 342	NRSA63J-0R0X	MG RESISTOR		
	R 242	NRSA63J-102X	MG RESISTOR				R 343	NRSA63J-102X	MG RESISTOR		
	R 243	NRSA63J-472X	MG RESISTOR				R 371	NRSA63J-105X	MG RESISTOR		
	R 244	NRSA63J-102X	MG RESISTOR				R 372	NRSA63J-101X	MG RESISTOR		
	R 245	NRVA63D-103X	MF RESISTER				R 373	NRSA63J-0R0X	MG RESISTOR		
	R 246	NRVA63D-183X	MG RESISTOR				R 401	NRSA63J-102X	MG RESISTOR		
	R 247	NRVA63D-103X	MF RESISTER				R 402	NRSA63J-102X	MG RESISTOR		
	R 248	NRVA63D-183X	MG RESISTOR				R 403	NRSA63J-472X	MG RESISTOR		
	R 249	NRSA63J-102X	MG RESISTOR				R 405	NRSA63J-472X	MG RESISTOR		
	R 251	NRSA63J-271X	MG RESISTOR				R 408	NRSA63J-472X	MG RESISTOR		
	R 252	NRSA63J-271X	MG RESISTOR				R 410	NRSA63J-0R0X	MG RESISTOR		
	R 253	NRSA63J-0R0X	MG RESISTOR				R 411	NRSA63J-472X	MG RESISTOR		
	R 254	NRSA63J-0R0X	MG RESISTOR				R 412	NRSA63J-472X	MG RESISTOR		
	R 255	NRSA63J-103X	MG RESISTOR				R 413	NRSA63J-472X	MG RESISTOR		
	R 256	NRSA63J-103X	MG RESISTOR				R 414	NRSA63J-472X	MG RESISTOR		
	R 257	NRSA63J-103X	MG RESISTOR				R 415	NRSA63J-472X	MG RESISTOR		
	R 258	NRSA63J-103X	MG RESISTOR				R 416	NRSA63J-472X	MG RESISTOR		
	R 259	NRSA63J-103X	MG RESISTOR				R 418	NRSA63J-472X	MG RESISTOR		
	R 260	NRSA63J-562X	MG RESISTOR				R 420	NRSA63J-0R0X	MG RESISTOR		
	R 261	NRSA63J-563X	MG RESISTOR				R 421	NRSA63J-0R0X	M.G.RESISTOR		EE
	R 262	NRS125J-R47X	MG RESISTOR				R 422	NRSA63J-0R0X	M.G.RESISTOR		EE
	R 263	NRSA63J-103X	MG RESISTOR				R 423	NRSA63J-0R0X	MG RESISTOR		B.E.EN
	R 264	NRSA63J-103X	MG RESISTOR				R 424	NRSA63J-0R0X	MG RESISTOR		
	R 267	NRSA63J-103X	MG RESISTOR				R 431	NRSA63J-472X	MG RESISTOR		
	R 268	NRS181J-2R2X	MG RESISTOR				R 432	NRSA63J-472X	MG RESISTOR		
	R 271	NRSA63J-243X	MG RESISTOR				R 461	NRSA63J-0R0X	MG RESISTOR		

## ■ Electrical parts list (DVD board)

Block No. 05

△	Item	Parts number	Parts name	Remarks	Area
	R 462	NRSA63J-0R0X	MG RESISTOR		
	R 491	NRSA63J-472X	MG RESISTOR		
	R 492	NRSA63J-472X	MG RESISTOR		
	R 501	NRSA63J-102X	MG RESISTOR		
	R 502	NRSA63J-222X	MG RESISTOR		
	R 503	NRSA63J-103X	MG RESISTOR		
	R 504	NRSA63J-330X	MG RESISTOR		
	R 505	NRSA63J-330X	MG RESISTOR		
	R 506	NRSA63J-330X	MG RESISTOR		
	R 507	NRSA63J-330X	MG RESISTOR		
	R 508	NRSA63J-330X	MG RESISTOR		
	R 509	NRSA63J-330X	MG RESISTOR		
	R 510	NRSA63J-330X	MG RESISTOR		
	R 511	NRSA63J-330X	MG RESISTOR		
	R 512	NRSA63J-330X	MG RESISTOR		
	R 513	NRSA63J-330X	MG RESISTOR		
	R 514	NRSA63J-330X	MG RESISTOR		
	R 515	NRSA63J-330X	MG RESISTOR		
	R 516	NRSA63J-330X	MG RESISTOR		
	R 517	NRSA63J-330X	MG RESISTOR		
	R 518	NRSA63J-330X	MG RESISTOR		
	R 519	NRSA63J-330X	MG RESISTOR		
	R 520	NRSA63J-330X	MG RESISTOR		
	R 521	NRSA63J-330X	MG RESISTOR		
	R 522	NRSA63J-330X	MG RESISTOR		
	R 523	NRSA63J-181X	MG RESISTOR		
	R 524	NRSA63J-181X	MG RESISTOR		
	R 525	NRSA63J-181X	MG RESISTOR		
	R 526	NRSA63J-181X	MG RESISTOR		
	R 527	NRSA63J-181X	MG RESISTOR		
	R 528	NRSA63J-181X	MG RESISTOR		
	R 529	NRSA63J-181X	MG RESISTOR		
	R 530	NRSA63J-181X	MG RESISTOR		
	R 531	NRSA63J-330X	MG RESISTOR		
	R 532	NRSA63J-0R0X	MG RESISTOR		
	R 533	NRSA63J-330X	MG RESISTOR		
	R 534	NRSA63J-330X	MG RESISTOR		
	R 535	NRSA63J-330X	MG RESISTOR		
	R 536	NRSA63J-330X	MG RESISTOR		
	R 537	NRSA63J-330X	MG RESISTOR		
	R 538	NRSA63J-330X	MG RESISTOR		
	R 539	NRSA63J-330X	MG RESISTOR		
	R 540	NRSA63J-330X	MG RESISTOR		
	R 541	NRSA63J-0R0X	MG RESISTOR		
	R 542	NRSA63J-0R0X	MG RESISTOR		
	R 543	NRSA63J-0R0X	MG RESISTOR		
	R 544	NRSA63J-0R0X	MG RESISTOR		
	R 545	NRSA63J-472X	MG RESISTOR		
	R 546	NRSA63J-332X	MG RESISTOR		
	R 547	NRSA63J-222X	MG RESISTOR		
	R 548	NRSA63J-332X	MG RESISTOR		
	R 550	NRSA63J-0R0X	MG RESISTOR		
	R 554	NRSA63J-0R0X	MG RESISTOR		
	R 555	NRSA63J-0R0X	MG RESISTOR		
	R 557	NRSA63J-0R0X	MG RESISTOR		
	R 558	NRSA63J-102X	MG RESISTOR		
	R 559	NRSA63J-0R0X	MG RESISTOR		
	R 561	NRVA63D-221X	MMF RESISTOR		
	R 564	NRVA63D-152X	MG RESISTOR		
	R 565	NRVA63D-332X	MF RESISTOR		
	R 567	NRSA63J-0R0X	MG RESISTOR		
	R 568	NRVA63D-221X	MMF RESISTOR	CB OUT	
	R 569	NRVA63D-221X	MMF RESISTOR	CR OUT	

△	Item	Parts number	Parts name	Remarks	Area
	R 570	NRVA63D-221X	MMF RESISTOR		
	R 571	NRSA63J-100X	MG RESISTOR		
	R 572	NRSA63J-181X	MG RESISTOR		
	R 573	NRSA63J-181X	MG RESISTOR		
	R 574	NRSA63J-181X	MG RESISTOR		
	R 575	NRSA63J-181X	MG RESISTOR		
	R 576	NRSA63J-181X	MG RESISTOR		
	R 577	NRSA63J-181X	MG RESISTOR		
	R 578	NRSA63J-181X	MG RESISTOR		
	R 579	NRSA63J-181X	MG RESISTOR		
	R 580	NRSA63J-181X	MG RESISTOR		
	R 581	NRSA63J-101X	MG RESISTOR		
	R 582	NRSA63J-0R0X	MG RESISTOR		
	R 583	NRVA63D-471X	CMF RESISTOR		
	R 584	NRVA63D-103X	MF RESISTER		
	R 585	NRVA63D-471X	CMF RESISTOR		
	SP 1	PU59915-105	SPACER		
	X 371	NAX0277-002X	CRYSTAL		
	X 401	NAX0331-001X	C RESONATOR		

## ■ Electrical parts list (Tuner board)

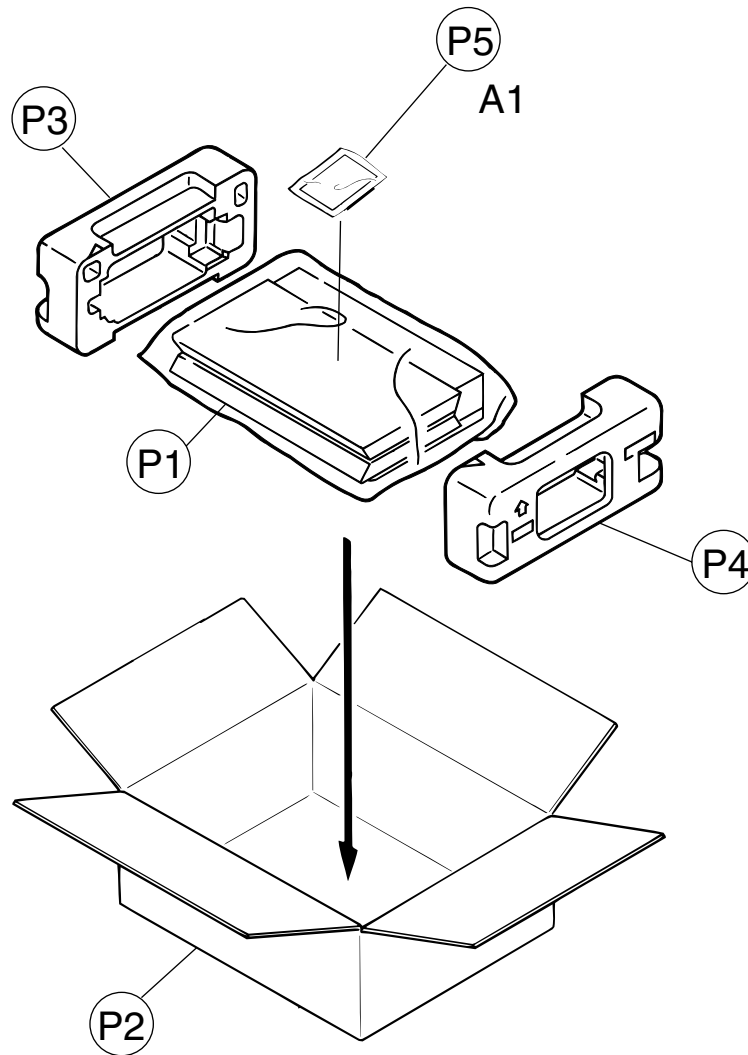
Block No. 06

△	Item	Parts number	Parts name	Remarks	Area	△	Item	Parts number	Parts name	Remarks	Area
	AT101	QNB0014-001	ANT TERMINAL				Q 103	2SC461/BC/-T	TRANSISTOR		
	C 101	NCB21HK-103X	C CAPACITOR				Q 111	KTC3199/GL/-T	TRANSISTOR		
	C 103	NCB21HK-223X	C CAPACITOR				Q 112	KTC3199/GL/-T	TRANSISTOR		
	C 105	NCB21HK-223X	C CAPACITOR				Q 113	DTA114YKA-X	TRANSISTOR		
	C 107	QEK1CM-226Z	E CAPACITOR	22MF 20% 16V			Q 121	KRA103M-T	TRANSISTOR *		
	C 111	NCB21HK-473X	C CAPACITOR				R 103	NRSA02J-101X	MG RESISTOR		
	C 112	NDC21HJ-120X	C CAPACITOR				R 104	NRSA02J-272X	MG RESISTOR		
	C 113	QCSB1HJ-120Y	C CAPACITOR	12PF 5% 50V			R 105	NRSA02J-391X	MG RESISTOR		
	C 121	NDC21HJ-120X	C CAPACITOR				R 106	NRSA02J-102X	MG RESISTOR		
	C 122	NDC21HJ-120X	C CAPACITOR				R 107	NRSA02J-561X	MG RESISTOR		
	C 123	NCB21HK-473X	C CAPACITOR				R 108	NRSA02J-332X	MG RESISTOR		
	C 126	NCS21HJ-101X	C CAPACITOR				R 109	NRSA02J-221X	MG RESISTOR		
	C 128	QENC1HM-474Z	NP E.CAPACITOR	.47MF 20% 50V			R 111	NRSA02J-472X	MG RESISTOR		
	C 129	NCB21HK-102X	C CAPACITOR				R 112	QRE141J-472Y	C RESISTOR	4.7K 5% 1/4W	
	C 130	QEK1AM-107Z	E.CAPACITOR	100MF 20% 10V			R 114	NRSA02J-122X	MG RESISTOR		
	C 133	QEK1CM-226Z	E CAPACITOR	22MF 20% 16V			R 115	NRSA02J-104X	MG RESISTOR		
	C 134	NCB21HK-222X	C CAPACITOR				R 119	NRSA02J-103X	MG RESISTOR		
	C 135	NCB21HK-223X	C CAPACITOR				R 122	NRSA02J-472X	MG RESISTOR		
	C 136	QEK1HM-105Z	E.CAPACITOR	1.0MF 20% 50V			R 124	NRSA02J-222X	MG RESISTOR		
	C 137	NCS21HJ-680X	C CAPACITOR				R 126	NRSA02J-562X	MG RESISTOR		
	C 139	NCB21HK-393X	C CAPACITOR				R 127	NRSA02J-822X	MG RESISTOR		
	C 140	NCB21HK-393X	C CAPACITOR				R 128	NRSA02J-472X	MG RESISTOR		
	C 141	NCB21HK-473X	C CAPACITOR				R 129	NRSA02J-222X	MG RESISTOR		
	C 143	NCB21HK-223X	C CAPACITOR				R 130	QRZ9005-680X	F.RESISTOR	68 1/4W	
	C 144	NCB21HK-473X	C CAPACITOR				R 132	NRSA02J-393X	MG RESISTOR		
	C 146	QEK1HM-105Z	E.CAPACITOR	1.0MF 20% 50V			R 133	NRSA02J-392X	MG RESISTOR		
	C 147	QEK1HM-105Z	E.CAPACITOR	1.0MF 20% 50V			R 134	NRSA02J-102X	MG RESISTOR		
	C 148	QEK1HM-224Z	E.CAPACITOR	.22MF 20% 50V			R 140	NRSA02J-563X	MG RESISTOR		
	C 149	QEK1HM-105Z	E.CAPACITOR	1.0MF 20% 50V			R 141	NRSA02J-102X	MG RESISTOR		
	C 150	QEK1CM-226Z	E CAPACITOR	22MF 20% 16V			R 142	NRSA02J-470X	MG RESISTOR		
	C 156	QDGB1HK-102Y	C CAPACITOR				R 143	NRSA02J-562X	MG RESISTOR		
	C 157	NCB21HK-473X	C CAPACITOR				R 144	NRSA02J-332X	MG RESISTOR		
	C 158	QEK1CM-226Z	E CAPACITOR	22MF 20% 16V			R 145	NRSA02J-103X	MG RESISTOR		
	C 161	QEK41CM-106	E.CAPACITOR	10MF 20% 16V			R 146	NRSA02J-472X	MG RESISTOR		
	C 162	QEK41CM-106	E.CAPACITOR	10MF 20% 16V			R 147	NRSA02J-332X	MG RESISTOR		
	C 163	NCB21HK-223X	C CAPACITOR				R 150	NRSA02J-331X	MG RESISTOR		
	C 164	NCB21HK-473X	C CAPACITOR				R 157	NRSA02J-272X	MG RESISTOR		
	C 168	QEK1HM-105Z	E.CAPACITOR	1.0MF 20% 50V			R 158	NRSA02J-272X	MG RESISTOR		
	C 184	QEK1CM-107Z	E.CAPACITOR	100MF 20% 16V			R 161	NRSA02J-102X	MG RESISTOR		
	C 185	QEK41CM-106	E.CAPACITOR	10MF 20% 16V			R 162	NRSA02J-102X	MG RESISTOR		
	C 186	QEK41CM-106	E.CAPACITOR	10MF 20% 16V			R 182	NRSA02J-103X	MG RESISTOR		
	C 191	NCS21HJ-820X	C CAPACITOR				R 183	NRSA02J-103X	MG RESISTOR		
	C 192	NCS21HJ-470X	C CAPACITOR				R 184	NRSA02J-103X	MG RESISTOR		
	C 193	NCB21HK-561X	C CAPACITOR				R 191	NRSA02J-102X	MG RESISTOR		
	C 194	NCB21HK-104X	C CAPACITOR				R 192	NRSA02J-474X	MG RESISTOR		
	C 195	NCB21HK-331X	C.CAPA. C.M				R 193	NRSA02J-103X	MG RESISTOR		
	C 196	QEK1HM-225Z	E.CAPACITOR	2.2MF 20% 50V			R 194	NRSA02J-103X	MG RESISTOR		
	C 197	NCB21HK-473X	C CAPACITOR				RF101	QAU0119-001	FRONT END	FOR FTZ	
	C 199	QEK41CM-106	E.CAPACITOR	10MF 20% 16V			T 111	QQR0871-001	COIL BLOCK		
	CF101	QAX0285-001Z	C.FILTER				T 142	QQR0973-001	IFT		
	CF102	QAX0285-001Z	C.FILTER				X 121	QAX0402-001	CRYSTAL		
	CF103	QAX0519-001Z	C FILTER				X 191	QAX0263-001Z	CRYSTAL		
	CN111	QGB2501K2-12	CONNECTOR								
	CN112	QGB2501K1-04	CONNECTOR								
	D 121	1SS133-T2	SI DIODE								
	D 123	1SS133-T2	SI DIODE								
	D 129	1SS133-T2	SI DIODE								
	D 131	1SS133-T2	SI DIODE								
	IC102	LA1838	IC								
	IC121	LC72136N	IC								
	IC191	SAA6588	IC(RDS)								
	L 112	QQL231K-2R7Y	INDUCTOR								
	Q 102	2SC535/BC/-T	TRANSISTOR								

# Packing materials and accessories parts list

Block No. M 3 M M

Block No. M 4 M M



## Parts list (Packing)

Block No. M3MM

⚠	Item	Parts number	Parts name	Q'ty	Description	Area
	P 1	QPC06005515P	POLY BAG	1	FOR SET	
	P 2	LV30580-029A	PACKING CASE	1		EE
		LV30580-028A	PACKING CASE	1		B,E,EN
	P 3	LV20651-001A	PACKING PAD(L)	1		
	P 4	LV20652-001A	PACKING PAD(R)	1		
	P 5	QPA01702503P	POLY BAG	1	FOR W.CARD	

## Parts list (Accessories)

Block No. M4MM

⚠	Item	Parts number	Parts name	Q'ty	Description	Area
	A 1	BT-54008-2	WARRANTY CARD	1		B,E,EN
		BT-54012-1	WARRANTY CARD	1		EE



# PARTS LIST

[ SP-THA10 ]

\* All printed circuit boards and its assemblies are not available as service parts.

## Area suffix

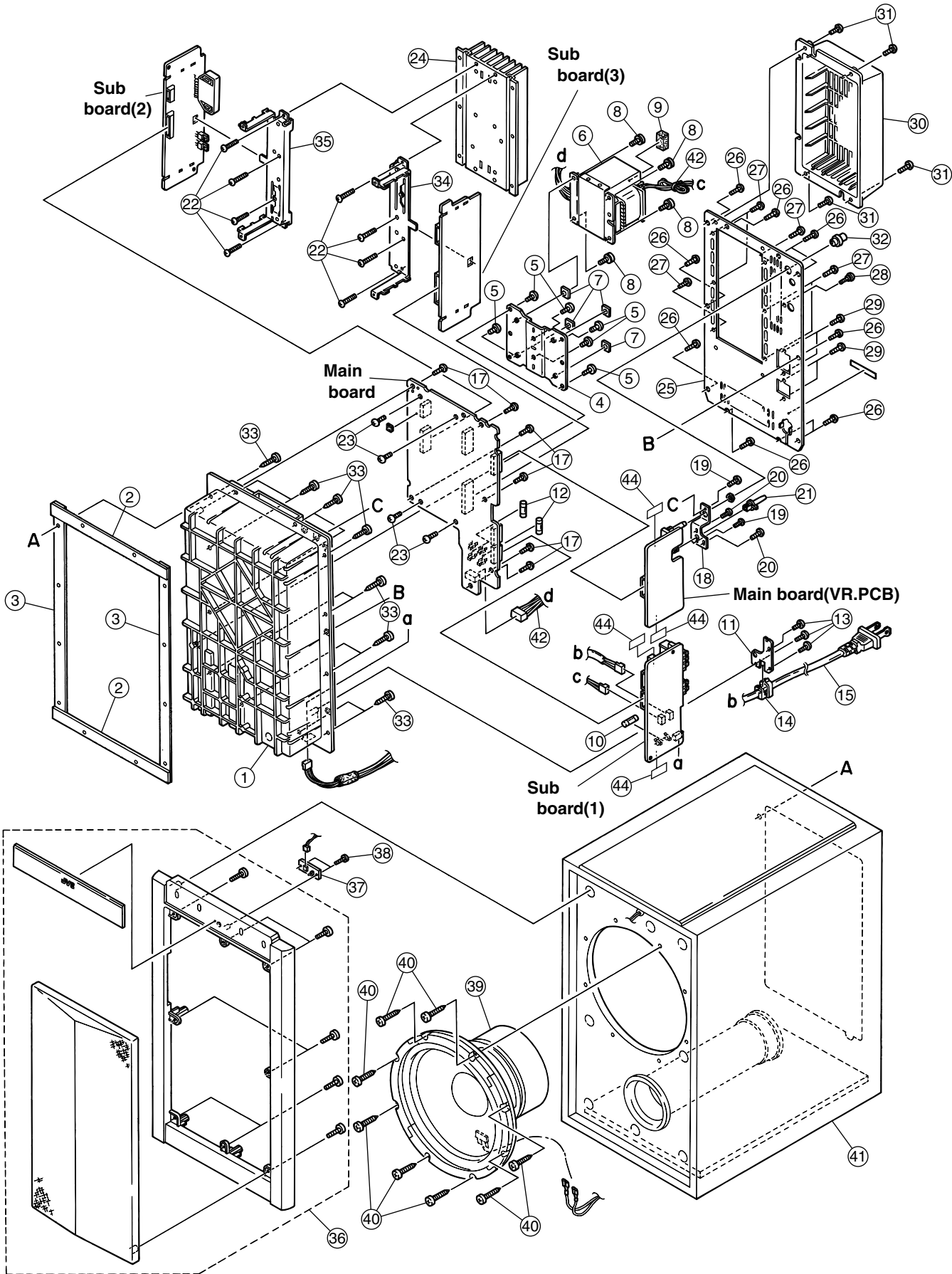
B ----- U.K.  
 E ----- Continental Europe  
 EN ----- Northern Europe  
 EE ----- Russian Federation

## - Contents -

Exploded view of general assembly and parts list .....	3-26
Electrical parts list .....	3-28
Packing materials and accessories parts list .....	3-34

# Exploded view of general assembly and parts list (SP-THA10)

Block No. M 5 M M



**Parts list (Speaker assembly)**

Block No. M5MM

△	Item	Parts number	Parts name	Q'ty	Description	Area
	1	LV10337-001A	MOLD BASE	1		
	2	LV30225-066A	SPACER	2		
	3	LV30225-067A	SPACER	2		
	4	LV31723-001A	TRANS BRACKET	1		
	5	QYSBSF4008Z	SCREW	6	FOR TRANS BKT	
△	6	QQT0297-003	P.TRANS	1		
	7	E406309-002	SPACER	4		
	8	QYSDSTL4010E	SPECIAL SCREW	4		
	9	LV30225-078A	SPACER	1		
△	10	QMF51E2-2R5-J1	FUSE	1	F403	
	11	LV41686-001A	AC BRACKET	1		
△	12	QMF51A2-8R0J1	FUSE	2	F504,F505	
	13	QYSBSF3008Z	SCREW	3		
△	14	QHS3771-108	CORD STOPPER	1		
△	15	QMPN160-200-JD	POWER CORD	1	MOTHER TO H.BKT	B
△		QMPK190-200-JC	POWER CORD	1	MOTHER TO H.BKT	E,EE,EN
	17	QYSBSF3008Z	SCREW	6		
	18	LV31756-001A	VOLUME BRACKET	1		
	19	QYSBSF3008Z	SCREW	2	FOR BOLUME BKT	
	20	QYSBST3006Z	T.SCREW	2	FOR PUSH SW	
	21	E407321-002SM	PUSH BUTTON	1		
	22	QYSBSG3016Z	T.SCREW	8	FOR TRTO H/S	
	23	QYSBSG3008E	T.SCREW	4	MOTHER TO H/SBK	
△	24	LV20656-001A	HEAT SINK	1		
	25	LV20654-005A	REAR PANEL	1		B,E,EN
		LV20654-006A	REAR PANEL	1		EE
	26	QYSDSF3008M	SCREW	10	TO MOLD BASE	
	27	QYSBSGY3008E	SPECIAL SCREW	6	FOR H/S	
	28	E73562-003	SPECIAL SCREW	1	DIN.REAR	
	29	QYSBSGY3008E	SPECIAL SCREW	4	FOR SPK	
	30	LV20655-001A	H.S.COVER	1		
	31	QYSBSG3008M	T.SCREW	4		
	32	LV30734-002A	KNOB	1		
	33	QYSDSA4020M	TAP SCREW	12		
	34	LV31722-003A	P.TR HOLDER	1		
	35	LV31722-002A	P.TR HOLDER	1		
	36	AA000017-01	SPEAKER NET	1		
	37	6600007411	CIR BOARD ASSY	1		
	38	7004690801	TAPPING SCREW	2		
	39	CR25000501	SPEAKER	1		
	40	7005942502	SCREW	8		
	41	AA000016-02	SPEAKER CABINET	1		
	42	QZW0004-001	WIRE CLAMP	2	FOR TRANS BKT	
	43	LV30225-093A	SPACER	2		
	44	LV30225-094A	SPACER	4		

# Electrical parts list

## ■ Electrical parts list (Main board)

Block No. 07

△	Item	Parts number	Parts name	Remarks	Area	△	Item	Parts number	Parts name	Remarks	Area
	C 100	QTE1H06-475Z	E CAPACITOR				C 551	QFVF1HJ-103Z	F CAPACITOR	.010MF 5% 50V	
	C 101	QETN1EM-476Z	E CAPACITOR	47MF 20% 25V			C 552	QETN1HM-475Z	E CAPACITOR	4.7MF 20% 50V	
	C 102	QTE1H06-475Z	E CAPACITOR				C 553	QFVF1HJ-103Z	F CAPACITOR	.010MF 5% 50V	
	C 103	QETN1EM-476Z	E CAPACITOR	47MF 20% 25V			C 554	QFVJ1HJ-103Z	TF CAPACITOR	.010MF 5% 50V	
	C 104	QETN1HM-105Z	E CAPACITOR	1.0MF 20% 50V			C 555	QFVJ1HJ-103Z	TF CAPACITOR	.010MF 5% 50V	
	C 105	QETN1EM-476Z	E CAPACITOR	47MF 20% 25V			C 556	QFVJ1HJ-103Z	TF CAPACITOR	.010MF 5% 50V	
	C 106	QFVF1HJ-103Z	F CAPACITOR	.010MF 5% 50V			C 557	QFVJ1HJ-103Z	TF CAPACITOR	.010MF 5% 50V	
	C 107	QFVF1HJ-103Z	F CAPACITOR	.010MF 5% 50V			C 558	QETN1HM-226Z	E CAPACITOR	22MF 20% 50V	
	C 108	QETN1EM-226Z	E CAPACITOR	22MF 20% 25V			CN101	QGB2510K2-12	CONNECTOR		
	C 109	QTE1H06-475Z	E CAPACITOR				CN104	QGA3901C1-05	5P CONNECTOR		
	C 110	QFVF1HJ-103Z	F CAPACITOR	.010MF 5% 50V			CN201	QGB2510J1-12	CONNECTOR		
	C 111	QETN1EM-226Z	E CAPACITOR	22MF 20% 25V			CN202	QGB2510J1-06	CONNECTOR		
	C 112	QTE1H06-475Z	E CAPACITOR				CN203	QGB2510J1-14	CONNECTOR		
	C 113	QFVF1HJ-103Z	F CAPACITOR	.010MF 5% 50V			CN205	EMV7163-020	CONNECTOR		
	C 114	QETN1EM-226Z	E CAPACITOR	22MF 20% 25V			CN206	QGB2510J1-14	CONNECTOR		
	C 115	QETN1HM-105Z	E CAPACITOR	1.0MF 20% 50V			CN210	QGB2510J1-10	CONNECTOR		
	C 116	QETN1EM-106Z	E CAPACITOR	10MF 20% 25V			CN211	QGB2510J1-12	CONNECTOR		
	C 118	QFVF1HJ-103Z	F CAPACITOR	.010MF 5% 50V			D 500	1SS133-T2	SI DIODE		
	C 119	QFVF1HJ-103Z	F CAPACITOR	.010MF 5% 50V			D 501	1SS133-T2	SI DIODE		
	C 120	QCBB1HK-101Y	C CAPACITOR	100PF 10% 50V			D 502	MTZJ5.1C-T2	ZENER DIODE		
	C 121	QCBB1HK-101Y	C CAPACITOR	100PF 10% 50V			D 503	1SS133-T2	SI DIODE		
	C 122	QCBB1HK-101Y	C CAPACITOR	100PF 10% 50V			D 504	1SS133-T2	SI DIODE		
	C 123	QCBB1HK-101Y	C CAPACITOR	100PF 10% 50V			D 505	1SS133-T2	SI DIODE		
	C 124	QCBB1HK-101Y	C CAPACITOR	100PF 10% 50V			D 506	MTZJ30C-T2	ZENER DIODE		
	C 125	QCBB1HK-101Y	C CAPACITOR	100PF 10% 50V			D 508	MTZJ5.1B-T2	ZENER DIODE		
	C 126	QCS11HJ-100	C CAPACITOR	10PF 5% 50V			D 509	MTZJ12C-T2	ZENER DIODE		
	C 128	QETN1HM-475Z	E CAPACITOR	4.7MF 20% 50V			D 510	MTZJ12C-T2	ZENER DIODE		
	C 129	QETN1HM-475Z	E CAPACITOR	4.7MF 20% 50V			△ D 511	1N5402M-20	DIODE		
	C 500	QFVF1HJ-104Z	TF CAPACITOR	.10MF 5% 50V		△	△ D 512	1N5402M-20	DIODE		
	C 501	QFVF1HJ-104Z	TF CAPACITOR	.10MF 5% 50V		△	△ D 513	1N5402M-20	DIODE		
	C 502	QFVF1HJ-103Z	F CAPACITOR	.010MF 5% 50V		△	△ D 514	1N5402M-20	DIODE		
	C 503	QFVF1HJ-103Z	F CAPACITOR	.010MF 5% 50V		△	△ D 515	6A20G-E4	DIODE		
	C 504	QFVF1HJ-104Z	TF CAPACITOR	.10MF 5% 50V		△	△ D 516	6A20G-E4	DIODE		
	C 505	QFVF1HJ-104Z	TF CAPACITOR	.10MF 5% 50V		△	△ D 517	6A20G-E4	DIODE		
	C 506	QFVF1HJ-104Z	TF CAPACITOR	.10MF 5% 50V		△	△ D 518	6A20G-E4	DIODE		
	C 507	QFVF1HJ-104Z	TF CAPACITOR	.10MF 5% 50V			D 519	1SS133-T2	SI DIODE		
	C 508	QFVF1HJ-103Z	F CAPACITOR	.010MF 5% 50V			D 520	1SS133-T2	SI DIODE		
	C 509	QFVF1HJ-103Z	F CAPACITOR	.010MF 5% 50V			D 521	1SS133-T2	SI DIODE		
	C 510	QFVF1HJ-104Z	TF CAPACITOR	.10MF 5% 50V			D 522	1SS133-T2	SI DIODE		
	C 511	QFVF1HJ-104Z	TF CAPACITOR	.10MF 5% 50V			D 523	MTZJ15C-T2	Z DIODE		
	C 512	QFVF1HJ-104Z	TF CAPACITOR	.10MF 5% 50V			D 524	MTZJ6.2B-T2	ZENER DIODE		
	C 513	QFVF1HJ-104Z	TF CAPACITOR	.10MF 5% 50V			D 525	MTZJ6.2B-T2	ZENER DIODE		
	C 514	QFVF1HJ-103Z	F CAPACITOR	.010MF 5% 50V			D 526	MTZJ15C-T2	Z DIODE		
	C 515	QFVF1HJ-103Z	F CAPACITOR	.010MF 5% 50V			D 527	1SS133-T2	SI DIODE		
	C 516	QETN1EM-107Z	E CAPACITOR	100MF 20% 25V			D 528	1SS133-T2	SI DIODE		
	C 517	QETN1EM-476Z	E CAPACITOR	47MF 20% 25V			D 530	1SS133-T2	SI DIODE		
	C 518	QETN1EM-107Z	E CAPACITOR	100MF 20% 25V			D 531	1SS133-T2	SI DIODE		
	C 519	QETN1EM-476Z	E CAPACITOR	47MF 20% 25V			D 532	MTZJ30C-T2	ZENER DIODE		
	C 520	QEZ0223-478	E CAPACITER	4700MF			D 533	MTZJ6.2B-T2	ZENER DIODE		
	C 521	QEZ0223-478	E CAPACITER	4700MF			D 534	1SS133-T2	SI DIODE		
	C 522	QETM1EM-688	E CAPACITOR	6800MF 20% 25V			D 535	MTZJ15C-T2	Z DIODE		
	C 523	QETM1EM-688	E CAPACITOR	6800MF 20% 25V			D 536	1SS133-T2	SI DIODE		
	C 524	QFLC2AJ-104Z	M CAPACITOR	.10MF 5% 100V			IC100	BA3121	IC		
	C 525	QFLC2AJ-104Z	M CAPACITOR	.10MF 5% 100V			IC101	BA3121	IC		
	C 526	QFLC2AJ-104Z	M CAPACITOR	.10MF 5% 100V			IC102	BA3121	IC		
	C 527	QFLC2AJ-104Z	M CAPACITOR	.10MF 5% 100V			IC103	BA15218N	IC		
	C 528	QFLC2AJ-104Z	M CAPACITOR	.10MF 5% 100V			IC108	BA15218N	IC		
	C 529	QFLC2AJ-104Z	M CAPACITOR	.10MF 5% 100V			IC109	BA15218N	IC		
	C 530	QETN1CM-227Z	E CAPACITOR	220MF 20% 16V			IC110	BA15218N	IC		
	C 531	QETN1HM-475Z	E CAPACITOR	4.7MF 20% 50V			J 100	QND0079-001	DIN CONNECTOR		
	C 532	QETN1EM-106Z	E CAPACITOR	10MF 20% 25V			K 100	QQR0786-001Z	INDUCTOR		
	C 533	QETN1CM-476Z	E CAPACITOR	47MF 20% 16V			K 101	QQR0786-001Z	INDUCTOR		
	C 550	QETN1HM-335Z	E CAPACITOR	3.3MF 20% 50V			Q 500	DTA144ESA-T	DIGITAL.TR TAPE		

## ■ Electrical parts list (Main board)

Block No. 07

△	Item	Parts number	Parts name	Remarks	Area	△	Item	Parts number	Parts name	Remarks	Area
	Q 501	DTC114ESA-T	DIGITAL.TR TAPE				R 515	QRE141J-100Y	C RESISTOR	10 5% 1/4W	
	Q 502	KTA1267/YG/-T	TRANSISTOR				R 516	QRE141J-100Y	C RESISTOR	10 5% 1/4W	
	Q 503	DTC114ESA-T	DIGITAL.TR TAPE			△	R 517	QRZ9005-100X	F.RESISTOR	10 1/4W	
	Q 504	KTC3199/GL/-T	TRANSISTOR				R 518	QRE141J-102Y	C RESISTOR	1.0K 5% 1/4W	
	Q 505	DTC114ESA-T	DIGITAL.TR TAPE				R 519	QRE141J-102Y	C RESISTOR	1.0K 5% 1/4W	
△	Q 506	2SD2037/EF/-T	TRANSISTOR			△	R 520	QRZ9005-100X	F.RESISTOR	10 1/4W	
△	Q 507	2SA1359/OY/	TRANSISTOR				R 521	QRE141J-104Y	C RESISTOR	100K 5% 1/4W	
	Q 508	KTC3199/GL/-T	TRANSISTOR				R 522	QRE141J-102Y	C RESISTOR	1.0K 5% 1/4W	
	Q 509	KTC3199/GL/-T	TRANSISTOR				R 523	QRE141J-102Y	C RESISTOR	1.0K 5% 1/4W	
	Q 510	DTA114ESA-T	DIGITAL.TR TAPE				R 524	QRE141J-103Y	C RESISTOR	10K 5% 1/4W	
	Q 511	KTC3199/GL/-T	TRANSISTOR				R 525	QRL012J-271	UNF OMF.RES	270 5% 1/1W	
	Q 512	KTC3199/GL/-T	TRANSISTOR				R 526	QRE141J-122Y	C RESISTOR	1.2K 5% 1/4W	
	Q 513	DTC144ESA-T	D.TRANSISTOR				R 527	QRE141J-331Y	C RESISTOR	330 5% 1/4W	
	Q 514	DTC115ESA-T	D.TRANSISTOR				R 528	QRE141J-223Y	C RESISTOR	22K 5% 1/4W	
	Q 515	KTC3199/GL/-T	TRANSISTOR				R 529	QRE141J-753Y	C RESISTOR	75K 5% 1/4W	
	Q 516	KTA1267/YG/-T	TRANSISTOR				R 530	QRE141J-101Y	C RESISTOR	100 5% 1/4W	
	Q 517	KTC3199/GL/-T	TRANSISTOR				R 531	QRE141J-753Y	C RESISTOR	75K 5% 1/4W	
	Q 518	DTA114TSA-T	D.TRANSISTOR				R 532	QRE141J-222Y	C RESISTOR	2.2K 5% 1/4W	
	Q 519	DTA114TSA-T	D.TRANSISTOR				R 533	QRE141J-223Y	C RESISTOR	22K 5% 1/4W	
	Q 520	2SK105/EF/-T	TRANSISTOR(FET)				R 534	QRE141J-102Y	C RESISTOR	1.0K 5% 1/4W	
	Q 521	2SK105/EF/-T	TRANSISTOR(FET)				R 535	QRE141J-224Y	C RESISTOR	220K 5% 1/4W	
	Q 522	KTC3199/GL/-T	TRANSISTOR			△	R 536	QRZ9006-4R7X	F RESISTOR	4.7 1/4W	
	Q 523	DTA144ESA-T	DIGITAL.TR TAPE				R 537	QRE141J-103Y	C RESISTOR	10K 5% 1/4W	
	R 100	QRE141J-102Y	C RESISTOR	1.0K 5% 1/4W			R 538	QRE141J-103Y	C RESISTOR	10K 5% 1/4W	
	R 102	QRE141J-102Y	C RESISTOR	1.0K 5% 1/4W			R 539	QRE141J-223Y	C RESISTOR	22K 5% 1/4W	
	R 104	QRE141J-102Y	C RESISTOR	1.0K 5% 1/4W			R 540	QRE141J-103Y	C RESISTOR	10K 5% 1/4W	
	R 106	QRE141J-102Y	C RESISTOR	1.0K 5% 1/4W			R 541	QRE141J-222Y	C RESISTOR	2.2K 5% 1/4W	
	R 108	QRE141J-102Y	C RESISTOR	1.0K 5% 1/4W			R 542	QRE141J-222Y	C RESISTOR	2.2K 5% 1/4W	
	R 110	QRE141J-102Y	C RESISTOR	1.0K 5% 1/4W			R 543	QRE141J-103Y	C RESISTOR	10K 5% 1/4W	
	R 112	QRE141J-101Y	C RESISTOR	100 5% 1/4W			R 544	QRE141J-104Y	C RESISTOR	100K 5% 1/4W	
	R 113	QRE141J-100Y	C RESISTOR	10 5% 1/4W			R 545	QRE141J-104Y	C RESISTOR	100K 5% 1/4W	
	R 114	QRE141J-100Y	C RESISTOR	10 5% 1/4W			R 546	QRE141J-103Y	C RESISTOR	10K 5% 1/4W	
	R 115	QRE141J-100Y	C RESISTOR	10 5% 1/4W			R 547	QRE141J-104Y	C RESISTOR	100K 5% 1/4W	
	R 116	QRE141J-473Y	C RESISTOR	47K 5% 1/4W			R 548	QRE141J-104Y	C RESISTOR	100K 5% 1/4W	
	R 118	QRE141J-473Y	C RESISTOR	47K 5% 1/4W			R 549	QRE141J-104Y	C RESISTOR	100K 5% 1/4W	
	R 119	QRE141J-100Y	C RESISTOR	10 5% 1/4W			R 550	QRE141J-104Y	C RESISTOR	100K 5% 1/4W	
	R 121	QRE141J-102Y	C RESISTOR	1.0K 5% 1/4W			R 551	QRE141J-104Y	C RESISTOR	100K 5% 1/4W	
	R 122	QRE141J-100Y	C RESISTOR	10 5% 1/4W			R 552	QRE141J-104Y	C RESISTOR	100K 5% 1/4W	
	R 123	QRE141J-102Y	C RESISTOR	1.0K 5% 1/4W			R 553	QRE141J-103Y	C RESISTOR	10K 5% 1/4W	
	R 124	QRE141J-222Y	C RESISTOR	2.2K 5% 1/4W			R 554	QRE141J-103Y	C RESISTOR	10K 5% 1/4W	
	R 130	QRE141J-473Y	C RESISTOR	47K 5% 1/4W			R 555	QRE141J-103Y	C RESISTOR	10K 5% 1/4W	
	R 132	QRE141J-123Y	C RESISTOR	12K 5% 1/4W			R 556	QRE141J-103Y	C RESISTOR	10K 5% 1/4W	
	R 133	QRE141J-223Y	C RESISTOR	22K 5% 1/4W			R 557	QRE141J-104Y	C RESISTOR	100K 5% 1/4W	
	R 134	QRE141J-223Y	C RESISTOR	22K 5% 1/4W			R 558	QRE141J-223Y	C RESISTOR	22K 5% 1/4W	
	R 135	QRE141J-223Y	C RESISTOR	22K 5% 1/4W			R 559	QRE141J-104Y	C RESISTOR	100K 5% 1/4W	
	R 136	QRE141J-223Y	C RESISTOR	22K 5% 1/4W			R 560	QRE141J-223Y	C RESISTOR	22K 5% 1/4W	
	R 137	QRE141J-223Y	C RESISTOR	22K 5% 1/4W			R 561	QRE141J-104Y	C RESISTOR	100K 5% 1/4W	
	R 138	QRE141J-223Y	C RESISTOR	22K 5% 1/4W			R 562	QRE141J-101Y	C RESISTOR	100 5% 1/4W	
	R 139	QRE141J-471Y	C RESISTOR	470 5% 1/4W			R 563	QRE141J-102Y	C RESISTOR	1.0K 5% 1/4W	
	R 500	QRE141J-392Y	C RESISTOR	3.9K 5% 1/4W			R 564	QRE141J-104Y	C RESISTOR	100K 5% 1/4W	
	R 501	QRE141J-183Y	C RESISTOR	18K 5% 1/4W			R 565	QRE141J-472Y	C RESISTOR	4.7K 5% 1/4W	
	R 502	QRE141J-100Y	C RESISTOR	10 5% 1/4W			R 566	QRE141J-472Y	C RESISTOR	4.7K 5% 1/4W	
	R 504	QRE141J-100Y	C RESISTOR	10 5% 1/4W			R 567	QRE141J-103Y	C RESISTOR	10K 5% 1/4W	
	R 505	QRE141J-392Y	C RESISTOR	3.9K 5% 1/4W			R 568	QRE141J-103Y	C RESISTOR	10K 5% 1/4W	
	R 506	QRE141J-183Y	C RESISTOR	18K 5% 1/4W			R 570	QRE141J-472Y	C RESISTOR	4.7K 5% 1/4W	
	R 507	QRE141J-392Y	C RESISTOR	3.9K 5% 1/4W			S 100	QSW0834-001	PUSH SW		
	R 508	QRE141J-183Y	C RESISTOR	18K 5% 1/4W			VR100	QVQ0021-B14	V.RES		
	R 509	QRE141J-100Y	C RESISTOR	10 5% 1/4W			Z 500	QNG0020-001Z	FUSE CLIP		
	R 510	QRE141J-100Y	C RESISTOR	10 5% 1/4W			Z 501	QNG0020-001Z	FUSE CLIP		
	R 511	QRE141J-392Y	C RESISTOR	3.9K 5% 1/4W			Z 502	QNG0020-001Z	FUSE CLIP		
	R 512	QRE141J-183Y	C RESISTOR	18K 5% 1/4W			Z 503	QNG0020-001Z	FUSE CLIP		
	R 513	QRE141J-392Y	C RESISTOR	3.9K 5% 1/4W							
	R 514	QRE141J-183Y	C RESISTOR	18K 5% 1/4W							

## ■ Electrical parts list (Sub board)

Block No. 08

△	Item	Parts number	Parts name	Remarks	Area	△	Item	Parts number	Parts name	Remarks	Area	
	C 202	QETN1HM-105Z	E CAPACITOR	1.0MF 20% 50V			C 337	QCB1HK-221Y	C CAPACITOR	220PF 10% 50V		
	C 203	QFVF1HJ-104Z	TF CAPACITOR	.10MF 5% 50V			C 338	QCSB1HK-3R3Y	C CAPACITOR	3.3PF 10% 50V		
	C 204	QFVF1HJ-184Z	TF CAPACITOR	.18MF 5% 50V			C 339	QFLM1HJ-104Z	M CAPACITOR	.10MF 5% 50V		
	C 205	QFN31HJ-393Z	M CAPACITOR	.039MF 5% 50V			C 340	QFLM1HJ-104Z	M CAPACITOR	.10MF 5% 50V		
	C 206	QFVF1HJ-103Z	F CAPACITOR	.010MF 5% 50V			C 350	QETN1EM-226Z	E CAPACITOR	22MF 20% 25V		
	C 207	QFVF1HJ-103Z	F CAPACITOR	.010MF 5% 50V			C 351	QETN1EM-226Z	E CAPACITOR	22MF 20% 25V		
	C 208	QETN1HM-475Z	E CAPACITOR	4.7MF 20% 50V			C 352	QFN31HJ-392Z	M.CAPACITOR	3900PF 5% 50V		
	C 209	QFN31HJ-471Z	M.CAPACITOR	470PF 5% 50V			C 353	QFN31HJ-392Z	M.CAPACITOR	3900PF 5% 50V		
	C 210	QTE1H06-475Z	E CAPACITOR			△	C 400	QFZ9051-103	MM CAPACITOR	.010MF		
	C 211	QETN1HM-106Z	E CAPACITOR	10MF 20% 50V			C 402	QFLM1HJ-104Z	M CAPACITOR	.10MF 5% 50V		
	C 212	QETN1HM-107Z	E CAPACITOR	100MF 20% 50V			C 403	QFLM1HJ-104Z	M CAPACITOR	.10MF 5% 50V		
	C 213	QETN1EM-107Z	E CAPACITOR	100MF 20% 25V			C 404	QFLM1HJ-104Z	M CAPACITOR	.10MF 5% 50V		
	C 214	QETN1HM-476Z	E CAPACITOR	47MF 20% 50V			C 405	QFLM1HJ-104Z	M CAPACITOR	.10MF 5% 50V		
	C 215	QCS31HJ-3R0Z	C CAPACITOR	3.0PF 5% 50V			C 406	QFLM1HJ-104Z	M CAPACITOR	.10MF 5% 50V		
	C 216	QETN1HM-475Z	E CAPACITOR	4.7MF 20% 50V			C 407	QFLM1HJ-104Z	M CAPACITOR	.10MF 5% 50V		
	C 217	QETN1HM-475Z	E CAPACITOR	4.7MF 20% 50V			C 408	QFLM1HJ-104Z	M CAPACITOR	.10MF 5% 50V		
	C 218	QFVF1HJ-224Z	TF CAPACITOR	.22MF 5% 50V			C 409	QFLM1HJ-104Z	M CAPACITOR	.10MF 5% 50V		
	C 219	QFVF1HJ-224Z	TF CAPACITOR	.22MF 5% 50V			C 410	QFLM1HJ-104Z	M CAPACITOR	.10MF 5% 50V		
	C 223	QCS11HJ-100	C CAPACITOR	10PF 5% 50V			C 411	QFLM1HJ-104Z	M CAPACITOR	.10MF 5% 50V		
	C 225	QETN2AM-226Z	E CAPACITOR	22MF 20% 100V			C 412	QETN1HM-105Z	E CAPACITOR	1.0MF 20% 50V		
	C 226	QFN31HJ-103Z	M CAPACITOR	.010MF 5% 50V			CN102	QGB2510K2-06	CONNECTOR			
	C 227	QFVJ1HJ-103Z	TF CAPACITOR	.010MF 5% 50V			CN103	QGB2510K2-14	CONNECTOR			
	C 228	QFVJ1HJ-103Z	TF CAPACITOR	.010MF 5% 50V			CN105	EMV5163-020R	SOCKET			
	C 229	QFVJ1HJ-223Z	TF CAPACITOR	.022MF 5% 50V			CN106	QGB2510K2-14	CONNECTOR			
	C 230	QFVJ1HJ-223Z	TF CAPACITOR	.022MF 5% 50V			CN107	QGA7901C1-02	CONNECTOR			
	C 231	QFN31HJ-103Z	M CAPACITOR	.010MF 5% 50V			CN108	QGA7901C1-02	CONNECTOR			
	C 232	QETN1HM-475Z	E CAPACITOR	4.7MF 20% 50V			CN109	QGA3901F2-04	CONNECTOR			
	C 233	QFV61HJ-104Z	TF CAPACITOR	.10MF 5% 50V			CN110	QGB2510K2-10	CONNECTOR			
	C 300	QFN31HJ-471Z	M.CAPACITOR	470PF 5% 50V			CN111	QGB2510K2-12	CONNECTOR			
	C 301	QETN1HM-225Z	E CAPACITOR	2.2MF 20% 50V			D 202	1SS133-T2	SI DIODE			
	C 302	QCB1HK-221Y	C CAPACITOR	220PF 10% 50V			D 203	1SS133-T2	SI DIODE			
	C 303	QETN1EM-226Z	E CAPACITOR	22MF 20% 25V			△	D 204	1N5402M-20	DIODE		
	C 304	QETN1EM-107Z	E CAPACITOR	100MF 20% 25V			D 205	MTZJ15C-T2	Z DIODE			
	C 305	QETN1HM-106Z	E CAPACITOR	10MF 20% 50V			D 206	MTZJ6.2B-T2	ZENER DIODE			
	C 306	QCSB1HK-3R3Y	C CAPACITOR	3.3PF 10% 50V			D 207	1SS133-T2	SI DIODE			
	C 307	QFLM1HJ-104Z	M CAPACITOR	.10MF 5% 50V			D 208	SLR-325MG-T	LED I M			
	C 308	QFLM1HJ-104Z	M CAPACITOR	.10MF 5% 50V			D 209	SLR-325MG-T	LED I M			
	C 309	QETN1HM-106Z	E CAPACITOR	10MF 20% 50V			D 210	1SS133-T2	SI DIODE			
	C 310	QETN1EM-226Z	E CAPACITOR	22MF 20% 25V			D 211	1SS133-T2	SI DIODE			
	C 311	QETN1EM-107Z	E CAPACITOR	100MF 20% 25V			D 212	MTZJ6.2B-T2	ZENER DIODE			
	C 312	QCB1HK-221Y	C CAPACITOR	220PF 10% 50V			D 214	MTZJ15C-T2	Z DIODE			
	C 313	QETN1HM-225Z	E CAPACITOR	2.2MF 20% 50V			△	D 215	1N5402M-20	DIODE		
	C 314	QFN31HJ-471Z	M.CAPACITOR	470PF 5% 50V			D 216	1SS133-T2	SI DIODE			
	C 315	QCSB1HK-3R3Y	C CAPACITOR	3.3PF 10% 50V			D 217	MTZJ6.2B-T2	ZENER DIODE			
	C 316	QFLM1HJ-104Z	M CAPACITOR	.10MF 5% 50V			D 218	1SS133-T2	SI DIODE			
	C 317	QFLM1HJ-104Z	M CAPACITOR	.10MF 5% 50V			D 219	1SS133-T2	SI DIODE			
	C 319	QTE1H06-475Z	E CAPACITOR				D 300	1SS133-T2	SI DIODE			
	C 320	QCB1HK-221Y	C CAPACITOR	220PF 10% 50V			D 301	1SS133-T2	SI DIODE			
	C 321	QETN1EM-107Z	E CAPACITOR	100MF 20% 25V			D 302	1SS133-T2	SI DIODE			
	C 322	QETN1EM-107Z	E CAPACITOR	100MF 20% 25V			D 303	1SS133-T2	SI DIODE			
	C 323	QCSB1HK-3R3Y	C CAPACITOR	3.3PF 10% 50V			D 304	1SS133-T2	SI DIODE			
	C 324	QFLM1HJ-104Z	M CAPACITOR	.10MF 5% 50V			D 400	1SS133-T2	SI DIODE			
	C 325	QFLM1HJ-104Z	M CAPACITOR	.10MF 5% 50V			D 401	1SR35-400A-T5	DIODE I/M			
	C 326	QETN1EM-107Z	E CAPACITOR	100MF 20% 25V			IC104	BA15218N	IC			
	C 327	QETN1EM-107Z	E CAPACITOR	100MF 20% 25V			△	IC105	STK404-130	IC		
	C 328	QCB1HK-221Y	C CAPACITOR	220PF 10% 50V			△	IC106	STK402-030	IC		
	C 329	QTE1H06-475Z	E CAPACITOR				△	IC107	STK402-230	IC		
	C 330	QFN31HJ-471Z	M.CAPACITOR	470PF 5% 50V			IC201	BA15218N	IC			
	C 331	QETN1EM-226Z	E CAPACITOR	22MF 20% 25V			IC202	BA15218N	IC			
	C 332	QCSB1HK-3R3Y	C CAPACITOR	3.3PF 10% 50V			J 101	QNB0065-002	SPK TERMINAL			
	C 333	QFLM1HJ-104Z	M CAPACITOR	.10MF 5% 50V			J 102	QNB0070-002	SPK TERMINAL			
	C 334	QFLM1HJ-104Z	M CAPACITOR	.10MF 5% 50V			L 200	QQLZ003-1R0	INDUCTOR			
	C 336	QTE1H06-475Z	E CAPACITOR				L 300	QQLZ003-1R0	INDUCTOR			

## ■ Electrical parts list (Sub board)

Block No. 08

△	Item	Parts number	Parts name	Remarks	Area	△	Item	Parts number	Parts name	Remarks	Area
	L 301	QQLZ003-1R0	INDUCTOR				R 250	QRE141J-475Y	C RESISTOR	4.7M 5% 1/4W	
	L 302	QQLZ003-1R0	INDUCTOR				R 251	QRE141J-103Y	C RESISTOR	10K 5% 1/4W	
	L 303	QQLZ003-1R0	INDUCTOR				R 252	QRE141J-103Y	C RESISTOR	10K 5% 1/4W	
	L 304	QQLZ003-1R0	INDUCTOR				R 253	QRE141J-103Y	C RESISTOR	10K 5% 1/4W	
	LC400	QQR0797-002	INDUCTOR				R 254	QRE141J-100Y	C RESISTOR	10 5% 1/4W	
	LC401	QQR0797-002	INDUCTOR				R 255	QRE141J-100Y	C RESISTOR	10 5% 1/4W	
	LC402	QQLZ005-R45	INDUCTOR				R 256	QRE141J-472Y	C RESISTOR	4.7K 5% 1/4W	
	LC403	QQLZ005-R45	INDUCTOR				R 257	QRE141J-332Y	C RESISTOR	3.3K 5% 1/4W	
	LC404	QQLZ005-R45	INDUCTOR				R 258	QRE141J-103Y	C RESISTOR	10K 5% 1/4W	
	MR200	QRZ0197-R22	EMIT.RESISTOR	1/1W			R 259	QRE141J-104Y	C RESISTOR	100K 5% 1/4W	
	Q 202	2SA1038S/SE/-T	TRANSISTOR				R 260	QRE141J-473Y	C RESISTOR	47K 5% 1/4W	
	Q 204	2SK2391	POW.MOS-FET				R 261	QRE141J-473Y	C RESISTOR	47K 5% 1/4W	
	Q 205	DTA114TSA-T	D.TRANSISTOR				R 262	QRE141J-103Y	C RESISTOR	10K 5% 1/4W	
	Q 206	2SC2389S/SE/-T	TRANSISTOR				R 263	QRE141J-103Y	C RESISTOR	10K 5% 1/4W	
	Q 207	2SA1038S/SE/-T	TRANSISTOR				R 264	QRE141J-103Y	C RESISTOR	10K 5% 1/4W	
	Q 208	2SK2391	POW.MOS-FET				R 265	QRE141J-223Y	C RESISTOR	22K 5% 1/4W	
	Q 209	2SC2389S/SE/-T	TRANSISTOR				R 266	QRE141J-472Y	C RESISTOR	4.7K 5% 1/4W	
	Q 210	2SK105/EF/-T	TRANSISTOR(FET)				R 267	QRE141J-103Y	C RESISTOR	10K 5% 1/4W	
	Q 211	DTC114TSA-T	D.TRANSISTOR				R 268	QRE141J-103Y	C RESISTOR	10K 5% 1/4W	
	Q 300	KTA1267/YG/-T	TRANSISTOR				R 269	QRE141J-103Y	C RESISTOR	10K 5% 1/4W	
	Q 301	KTA1267/YG/-T	TRANSISTOR				R 270	QRE141J-103Y	C RESISTOR	10K 5% 1/4W	
	Q 302	KTA1267/YG/-T	TRANSISTOR				R 271	QRE141J-472Y	C RESISTOR	4.7K 5% 1/4W	
	Q 303	KTA1267/YG/-T	TRANSISTOR				R 272	QRE141J-472Y	C RESISTOR	4.7K 5% 1/4W	
	Q 304	KTA1267/YG/-T	TRANSISTOR				R 273	QRE141J-221Y	C RESISTOR	220 5% 1/4W	
	R 200	QRE141J-223Y	C RESISTOR	22K 5% 1/4W			R 274	QRE141J-221Y	C RESISTOR	220 5% 1/4W	
	R 201	QRE141J-473Y	C RESISTOR	47K 5% 1/4W			R 275	QRE141J-221Y	C RESISTOR	220 5% 1/4W	
	R 208	QRE141J-473Y	C RESISTOR	47K 5% 1/4W			R 276	QRE141J-223Y	C RESISTOR	22K 5% 1/4W	
	R 209	QRE141J-222Y	C RESISTOR	2.2K 5% 1/4W			R 277	QRE141J-103Y	C RESISTOR	10K 5% 1/4W	
	R 210	QRE141J-103Y	C RESISTOR	10K 5% 1/4W			R 300	QRE141J-332Y	C RESISTOR	3.3K 5% 1/4W	
	R 211	QRE141J-103Y	C RESISTOR	10K 5% 1/4W			R 301	QRE141J-563Y	C RESISTOR	56K 5% 1/4W	
	R 212	QRE141J-100Y	C RESISTOR	10 5% 1/4W			R 302	QRE141J-182Y	C RESISTOR	1.8K 5% 1/4W	
	R 213	QRE141J-100Y	C RESISTOR	10 5% 1/4W		△	R 303	QRZ9015-101X	F.RESISTOR	100 1/0W	
	R 214	QRE141J-103Y	C RESISTOR	10K 5% 1/4W			R 304	QRE141J-103Y	C RESISTOR	10K 5% 1/4W	
	R 215	QRE141J-222Y	C RESISTOR	2.2K 5% 1/4W			R 305	QRT012J-R22	UNF.MF.RESISTOR	5% 1/1W	
	R 216	QRE141J-182Y	C RESISTOR	1.8K 5% 1/4W			R 306	QRT012J-R22	UNF.MF.RESISTOR	5% 1/1W	
	R 217	QRE141J-563Y	C RESISTOR	56K 5% 1/4W			R 307	QRE141J-563Y	C RESISTOR	56K 5% 1/4W	
△	R 218	QRZ9015-221X	F.RESISTOR	220 1/0W			R 308	QRE141J-102Y	C RESISTOR	1.0K 5% 1/4W	
△	R 219	QRZ9015-221X	F.RESISTOR	220 1/0W			R 309	QRE141J-183Y	C RESISTOR	18K 5% 1/4W	
	R 220	QRE141J-472Y	C RESISTOR	4.7K 5% 1/4W			R 310	QRE141J-473Y	C RESISTOR	47K 5% 1/4W	
	R 221	QRE141J-472Y	C RESISTOR	4.7K 5% 1/4W			R 311	QRK126J-4R7X	C RESISTOR	4.7 5% 1/2W	
	R 222	QRE141J-563Y	C RESISTOR	56K 5% 1/4W			R 312	QRE141J-8R2Y	C RESISTOR	8.2 5% 1/4W	
	R 223	QRE141J-102Y	C RESISTOR	1.0K 5% 1/4W			R 313	QRT012J-R22	UNF.MF.RESISTOR	5% 1/1W	
	R 224	QRE141J-473Y	C RESISTOR	47K 5% 1/4W			R 314	QRT012J-R22	UNF.MF.RESISTOR	5% 1/1W	
	R 225	QRE141J-183Y	C RESISTOR	18K 5% 1/4W		△	R 315	QRZ9015-101X	F.RESISTOR	100 1/0W	
	R 226	QRK126J-4R7X	C RESISTOR	4.7 5% 1/2W			R 316	QRE141J-182Y	C RESISTOR	1.8K 5% 1/4W	
	R 227	QRE141J-4R7Y	C RESISTOR	4.7 5% 1/4W			R 317	QRE141J-563Y	C RESISTOR	56K 5% 1/4W	
	R 230	QRE141J-471Y	C RESISTOR	470 5% 1/4W			R 318	QRE141J-332Y	C RESISTOR	3.3K 5% 1/4W	
	R 231	QRE141J-103Y	C RESISTOR	10K 5% 1/4W			R 319	QRE141J-563Y	C RESISTOR	56K 5% 1/4W	
	R 235	QRE141J-472Y	C RESISTOR	4.7K 5% 1/4W			R 320	QRK126J-4R7X	C RESISTOR	4.7 5% 1/2W	
	R 236	QRE141J-473Y	C RESISTOR	47K 5% 1/4W			R 321	QRE141J-8R2Y	C RESISTOR	8.2 5% 1/4W	
	R 237	QRE141J-103Y	C RESISTOR	10K 5% 1/4W			R 322	QRE141J-473Y	C RESISTOR	47K 5% 1/4W	
	R 238	QRE141J-103Y	C RESISTOR	10K 5% 1/4W			R 323	QRE141J-102Y	C RESISTOR	1.0K 5% 1/4W	
	R 239	QRE141J-563Y	C RESISTOR	56K 5% 1/4W			R 324	QRE141J-183Y	C RESISTOR	18K 5% 1/4W	
	R 240	QRE141J-823Y	C RESISTOR	82K 5% 1/4W			R 325	QRE141J-332Y	C RESISTOR	3.3K 5% 1/4W	
	R 241	QRE141J-103Y	C RESISTOR	10K 5% 1/4W			R 326	QRE141J-563Y	C RESISTOR	56K 5% 1/4W	
	R 242	QRE141J-103Y	C RESISTOR	10K 5% 1/4W			R 327	QRE141J-182Y	C RESISTOR	1.8K 5% 1/4W	
	R 243	QRE141J-103Y	C RESISTOR	10K 5% 1/4W		△	R 328	QRZ9015-101X	F.RESISTOR	100 1/0W	
	R 244	QRE141J-103Y	C RESISTOR	10K 5% 1/4W			R 329	QRE141J-103Y	C RESISTOR	10K 5% 1/4W	
	R 245	QRE141J-563Y	C RESISTOR	56K 5% 1/4W			R 330	QRT012J-R22	UNF.MF.RESISTOR	5% 1/1W	
	R 246	QRE141J-823Y	C RESISTOR	82K 5% 1/4W			R 331	QRT012J-R22	UNF.MF.RESISTOR	5% 1/1W	
	R 247	QRE141J-394Y	C RESISTOR	390K 5% 1/4W			R 332	QRE141J-563Y	C RESISTOR	56K 5% 1/4W	
	R 248	QRE141J-334Y	C RESISTOR	330K 5% 1/4W			R 333	QRE141J-102Y	C RESISTOR	1.0K 5% 1/4W	
	R 249	QRE141J-475Y	C RESISTOR	4.7M 5% 1/4W			R 334	QRE141J-183Y	C RESISTOR	18K 5% 1/4W	

## ■ Electrical parts list (Sub board)

Block No. 08

△	Item	Parts number	Parts name	Remarks	Area
	R 335	QRE141J-473Y	C RESISTOR	47K 5% 1/4W	
	R 336	QRK126J-4R7X	C RESISTOR	4.7 5% 1/2W	
	R 337	QRE141J-8R2Y	C RESISTOR	8.2 5% 1/4W	
	R 338	QRT012J-R22	UNF.MF.RESISTOR	5% 1/1W	
	R 339	QRT012J-R22	UNF.MF.RESISTOR	5% 1/1W	
△	R 340	QRZ9015-101X	F.RESISTOR	100 1/0W	
	R 341	QRE141J-182Y	C RESISTOR	1.8K 5% 1/4W	
	R 342	QRE141J-563Y	C RESISTOR	56K 5% 1/4W	
	R 343	QRE141J-332Y	C RESISTOR	3.3K 5% 1/4W	
	R 344	QRE141J-563Y	C RESISTOR	56K 5% 1/4W	
	R 345	QRK126J-4R7X	C RESISTOR	4.7 5% 1/2W	
	R 346	QRE141J-8R2Y	C RESISTOR	8.2 5% 1/4W	
	R 347	QRE141J-473Y	C RESISTOR	47K 5% 1/4W	
	R 348	QRE141J-183Y	C RESISTOR	18K 5% 1/4W	
	R 349	QRE141J-102Y	C RESISTOR	1.0K 5% 1/4W	
	R 350	QRE141J-332Y	C RESISTOR	3.3K 5% 1/4W	
	R 351	QRE141J-563Y	C RESISTOR	56K 5% 1/4W	
	R 352	QRE141J-182Y	C RESISTOR	1.8K 5% 1/4W	
	R 353	QRT012J-R22	UNF.MF.RESISTOR	5% 1/1W	
	R 354	QRT012J-R22	UNF.MF.RESISTOR	5% 1/1W	
	R 355	QRE141J-563Y	C RESISTOR	56K 5% 1/4W	
	R 356	QRE141J-102Y	C RESISTOR	1.0K 5% 1/4W	
	R 357	QRE141J-183Y	C RESISTOR	18K 5% 1/4W	
	R 358	QRE141J-473Y	C RESISTOR	47K 5% 1/4W	
	R 359	QRK126J-4R7X	C RESISTOR	4.7 5% 1/2W	
	R 360	QRE141J-8R2Y	C RESISTOR	8.2 5% 1/4W	
	R 370	QRE141J-152Y	C RESISTOR	1.5K 5% 1/4W	
	R 371	QRE141J-152Y	C RESISTOR	1.5K 5% 1/4W	
	R 372	QRE141J-162Y	C RESISTOR	1.6K 5% 1/4W	
	R 373	QRE141J-152Y	C RESISTOR	1.5K 5% 1/4W	
	R 374	QRE141J-162Y	C RESISTOR	1.6K 5% 1/4W	
	R 375	QRE141J-222Y	C RESISTOR	2.2K 5% 1/4W	
	R 376	QRE141J-222Y	C RESISTOR	2.2K 5% 1/4W	
	R 377	QRE141J-562Y	C RESISTOR	5.6K 5% 1/4W	
	R 378	QRE141J-222Y	C RESISTOR	2.2K 5% 1/4W	
	R 379	QRE141J-562Y	C RESISTOR	5.6K 5% 1/4W	
	R 400	QRE141J-8R2Y	C RESISTOR	8.2 5% 1/4W	
	R 401	QRE141J-8R2Y	C RESISTOR	8.2 5% 1/4W	
	R 402	QRE141J-8R2Y	C RESISTOR	8.2 5% 1/4W	
	R 403	QRE141J-8R2Y	C RESISTOR	8.2 5% 1/4W	
	R 404	QRE141J-8R2Y	C RESISTOR	8.2 5% 1/4W	
△	RY400	QSK0055-001	RELAY		
	RY401	QSK0095-001	RELAY		
	RY402	QSK0095-001	RELAY		
	RY403	QSK0095-001	RELAY		
	Z 400	QNG0020-001Z	FUSE CLIP		
	Z 401	QNG0020-001Z	FUSE CLIP		



— MEMO —

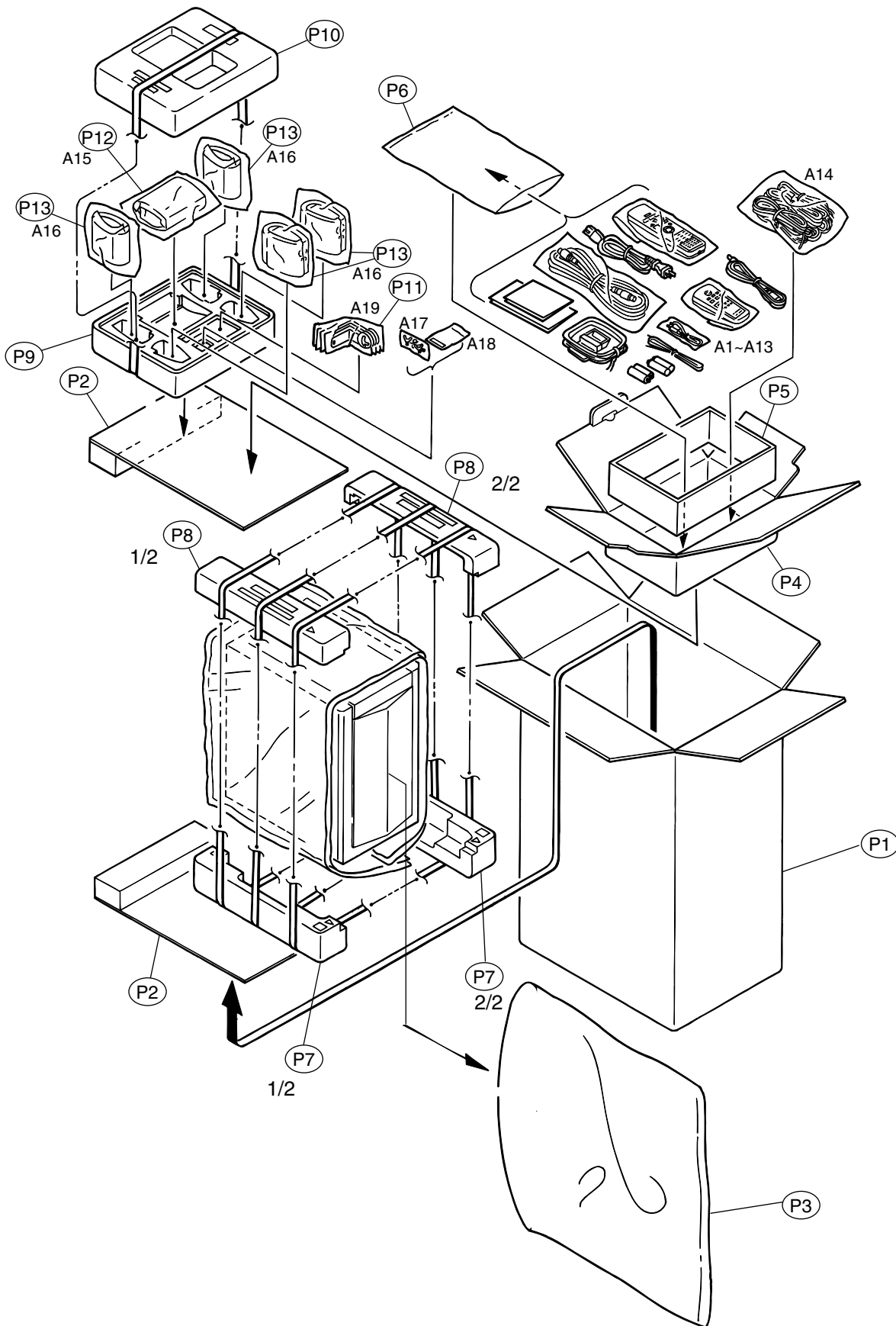
# Packing materials and accessories parts list

Block No. 

M	6	M	M
---	---	---	---

Block No. 

M	7	M	M
---	---	---	---



## ■ Parts list (Packing)

Block No. M6MM

△	Item	Parts number	Parts name	Q'ty	Description	Area
	P 1	LV32243-001A	CARTON	1		
	P 2	LV41665-001A	PROTECTOR	2		
	P 3	QPA10010005P	POLY BAG	1	FOR SPK	
	P 4	LV31968-001A	ACC.BOX	1		
	P 5	LV31983-001A	CARTON SHEET	1		
	P 6	QPA02504507P	POLY BAG	1	FOR ACC	EE
		QPA03004507P	POLY BAG	1	FOR ACC	B,E,EN
	P 7	8000042211	BOTTOM CUSHION	1		
	P 8	8000042201	TOP CUSHION	1		
	P 9	8000042111	BOTTOM CUSHION	1		
	P 10	8000042101	TOP CUSHION	1		
	P 11	8500035701	POLY BAG	4	FOR BKT	
	P 12	8500032771	POLY BAG	1	FOR SPK BOX	
	P 13	8500032761	POLY BAG	4	FOR SPK BOX	

## ■ Parts list (Accessories)

Block No. M7MM

△	Item	Parts number	Parts name	Q'ty	Description	Area
	A 1	LVT0516-003A	INST.BOOK	1	DAN	EN
		LVT0516-001A	INST.BOOK	1	ENG	B
		LVT0517-001A	INST.BOOK-2	1	ENG	B
		LVT0517-002A	INST.BOOK-2	1	SPA	E
		LVT0517-004A	INST.BOOK-2	1	RUS	EE
		LVT0516-002A	INST.BOOK	1	ENG,GER,FRE,DUT	E
		LVT0517-003A	INST.BOOK-2	1	SWE	EN
		LVT0516-002A	INST.BOOK	1	SPA,ITA	E
		LVT0516-003A	INST.BOOK	1	GER,FRE,SWE,FIN	EN
		LVT0517-007A	INST.BOOK-2	1	ITA	E
		LVT0517-008A	INST.BOOK-2	1	FIN	EN
		LVT0517-012A	INST.BOOK-2	1	DUT	E,EN
		LVT0517-011A	INST.BOOK-2	1	FRE	E,EN
		LVT0517-009A	INST.BOOK-2	1	DEN	EN
		LVT0517-010A	INST.BOOK-2	1	GER	E,EN
		LVT0516-004A	INST.BOOK	1	RUS	EE
	A 3	E43486-340A	SAFETY SHEET	1		B
	A 4	VNA3000-202	REGISTER CARD	1		B
△	A 5	QMP39F0-183E	POWER CORD	1		E,EE,EN
△		QMPP060-183-JD	POWER CORD	1		B
	A 6	QAM0239-002	SYSTEM CABLE	1		
	A 7	RM-STHA10R	W.LESS REMOCON	1		
	A 8	RM-STHA10EC	W.LESS REMOCON	1		
	A 9	-----	BATTERY	2		
	A 10	QAM0236-001	VIDEO CABLE	1		
	A 11	EWP805-001W	PLUG CORD ASSY	1		
	A 12	QAL0014-001	LOOP ANTENNA	1		
	A 13	EWP503-001C	ANTENNA WIRE	1		
	A 14	LV41663-002A	SPK CORD ASSY	1		
	A 15	SP-XCA10J	SPEAKER BOX	1		
	A 16	SP-XSA10J	SPEAKER BOX	4		
	A 17	7200035901	BOLT	4		
	A 18	8600005001	FOOT	1		
	A 19	6400017301	SUB BRACKET	4		